

FEATURES

Metal

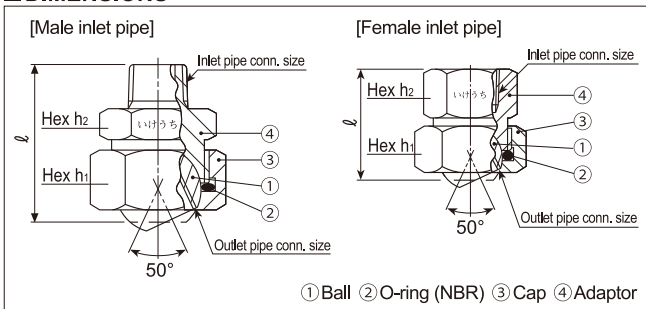
- Accurate nozzle alignment is possible after connected to pipe.
- Adjust spray direction over a range of 50 degrees as desired.
- Available from 1/8" to 3/4" in pipe connection size.



Material: S303, B (brass)
(Optional material: S316 or others)

*This photo is UT Ball Joint with an air nozzle.

DIMENSIONS



*WAF = with across flats

Product code (Inlet x Outlet)	Inlet pipe conn. size	Outlet pipe conn. size	Dimensions (mm)			Mass (g)	
			ℓ	h1(WAF)*	h2(WAF)*	S303	B
UT1/8M×1/8F☆	1/8M	1/8F	32.5	22	21	56	60
UT1/4M×1/8F☆	1/4M	1/8F	36.0	22	21	60	65
UT1/4M×1/4F☆	1/4M	1/4F	39.5	29	24	110	110
UT3/8M×1/4F☆	3/8M	1/4F	40.0	29	24	105	115
UT3/8M×3/8F☆	3/8M	3/8F	47.5	35	30	190	205
UT1/2M×1/2F☆	1/2M	1/2F	54.5	41	41	325	350
UT3/4M×3/4F☆	3/4M	3/4F	61.5	50	46	490	525
UT1/8F×1/8F☆	1/8F	1/8F	28.5	22	21	63	69
UT1/4F×1/8F☆	1/4F	1/8F	28.5	22	21	58	63
UT1/4F×1/4F☆	1/4F	1/4F	33.5	29	24	110	120
UT3/8F×1/4F☆	3/8F	1/4F	33.5	29	24	100	110
UT3/8F×3/8F☆	3/8F	3/8F	44.5	35	30	220	235
UT1/2F×1/2F☆	1/2F	1/2F	48.5	41	41	375	405
UT3/4F×3/4F☆	3/4F	3/4F	55.5	50	46	560	600

☆=Material Indicate whether you desire brass or S303.

FEATURES

Plastic

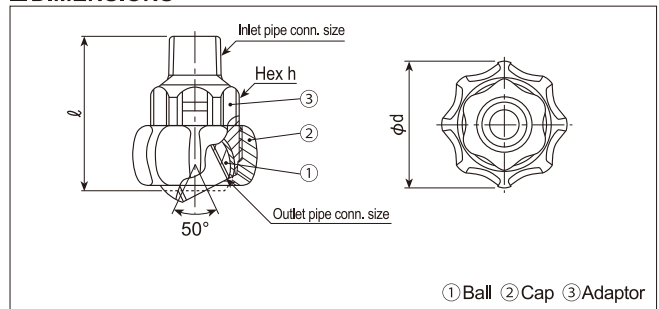
- Adjust spray direction while spraying (up to 0.3MPa).
- No O-ring! Easy installation by hand.
- Light weight, only half of metal joint.
- Low price due to injection-molded construction.



Material:

- Adaptor and cap: FRPP
- Ball: FRPP + PP + EPDM resin

DIMENSIONS



Product code (Inlet x Outlet)	Inlet pipe conn. size	Outlet pipe conn. size	Dimensions (mm)			Mass (g)
			ℓ	φd	h	
UT1/8M×1/8F	1/8M	1/8F	38.0	32	21	15
UT1/4M×1/8F	1/4M	1/8F	40.0	32	21	16
UT1/4M×1/4F	1/4M	1/4F	40.0	32	21	15
UT3/8M×1/8F	3/8M	1/8F	41.0	32	21	16
UT3/8M×1/4F	3/8M	1/4F	41.0	32	21	15

How to order

Please inquire or order for a specific joint using this coding system.

Metal <Example> UT 1/8M×1/8F S303

UT 1/8M	×	1/8F	S303
Inlet pipe conn. type		Outlet pipe conn. size	Material
■ 1/8M ■ 1/8F		■ 1/8F	■ S303
■ 1/4M ■ 1/4F		■ 1/4F	■ B
■ 3/8M ■ 3/8F		■ 3/8F	
■ 1/2M ■ 1/2F		■ 1/2F	
■ 3/4M ■ 3/4F		■ 3/4F	

Plastic <Example> UT 1/8M×1/8F FRPP-IN

UT 1/8M	×	1/8F	FRPP-IN
Inlet pipe conn. size		Outlet pipe conn. size	
■ 1/8M		■ 1/8F	
■ 1/4M		■ 1/4F	
■ 3/8M			



Maximum pressure; 4MPa for UT-B (brass; C3604)
15MPa for UT-S303
1MPa for UT-FRPP (at room temperature)

Note: Do not use under conditions where water hammer or sudden change of water pressure occurs.