

For compressors

Round Type

**FEATURES**

- High impact solid stream of air blown from eight holes.
- Standard round type air nozzle for high-impact, pinpoint blowing.
- Compact design, lightweight.
- Quiet operation with noise level reduced by more than 10dB (A) compared to conventional one-hole air nozzle.
- For applications which require high spray impact air blow into gaps and narrow spaces (pipes, etc.).

Round Type



【Spray pattern】

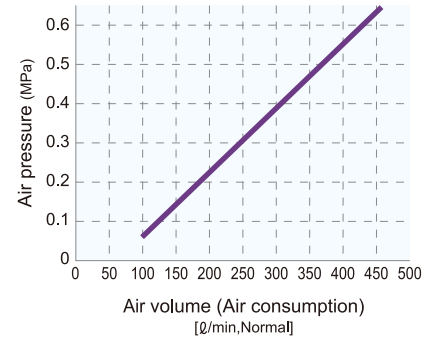
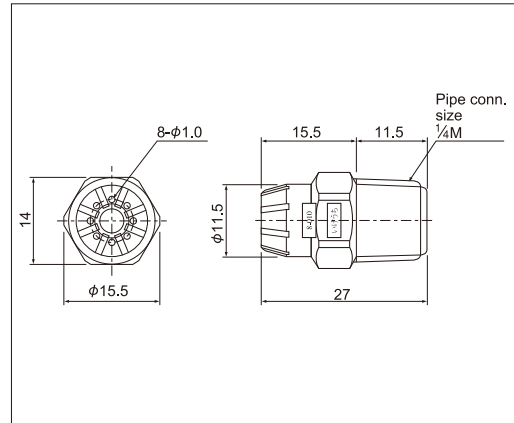
Plastic

▶ Affordable, made of PP.



Orifice diameter: 1.0mm  
 Material: PP  
 Mass: 2g  
 Max. air pressure: 0.7MPa (100psi)  
 Max. allowable temperature: 60°C (140°F)

**■ DIMENSIONS**



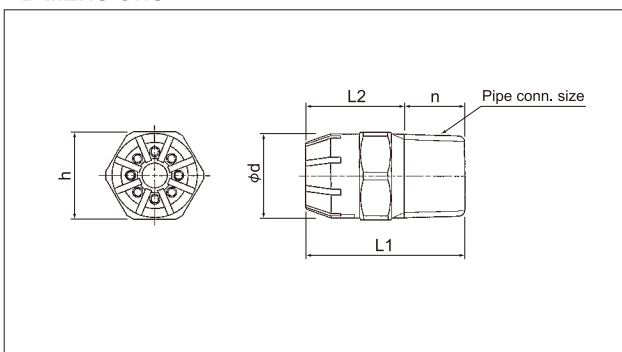
Stainless Steel

- ▶ Made of stainless steel S316L with high resistance to shock, heat and chemicals.
- ▶ 2 pipe connection size types, 1/8M and 1/4M, and 5 orifice diameter types, φ0.8mm-φ1.6mm, are available.
- ▶ Use in air with large amounts of foreign matter is possible.



Material: S316L equivalent  
 Max. air pressure: 1.0MPa (140psi)  
 Max. allowable temperature: 400°C (750°F)

**■ DIMENSIONS**



**■ SPECIFICATIONS**

Orifice diameter code	Pipe conn. size		Orifice diameter (mm)	Air consumption (l/min, Normal)		
	1/8M	1/4M		0.1MPa	0.3MPa	0.5MPa
8-008	○	—	0.8	80	155	235
8-010	○	○	1.0	125	245	365
8-012	○	○	1.2	180	360	540
8-014	○	○	1.4	240	480	720
8-016	—	○	1.6	320	630	940

Note: Surface gloss may vary depending on nozzle size.

Pipe conn. size	Outer dimensions (mm)					Mass (g)
	L1	L2	h	n	φd	
1/8M	20	13	12	7	12	7
1/4M	25	15.5	14	9.5	13.5	12

**How to order**

Please inquire or order for a specific nozzle using this coding system.

① Plastic

1/4 M TF-R 8-010 PP-IN

② Stainless steel

<Example> 1/8M TF-R 8-010 S316L-IN

1/8M TF-R 8-010 S316L-IN

Pipe connection size      Orifice diameter code  
 ■ 1/8M                      ■ 8-008   ■ 8-012   ■ 8-016  
 ■ 1/4M                      ■ 8-010   ■ 8-014