

# Air Booster Nozzles

For compressors

Cluster Header  
3-Cluster Header

## FEATURES

- Header with a cluster of multiple round-type stainless steel air nozzles.
- The unit is made of a cluster of nozzles. One cluster can be equipped with 4, 5 or 7 nozzles upon request.
- Also available is the multiple-nozzle triple cluster type, consisting of 3 clusters of multiple-nozzles in one unit, for application of stronger power.

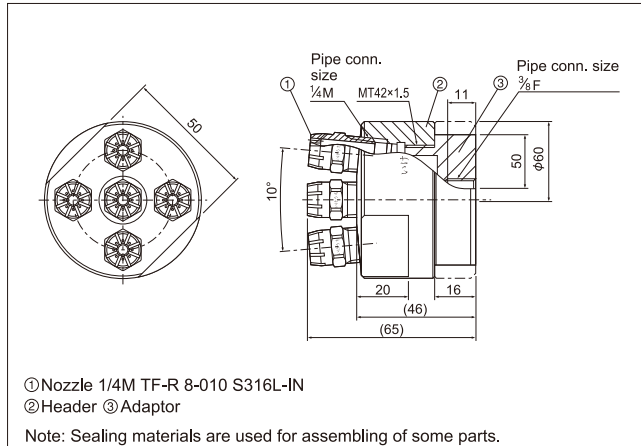
Cluster header

► Header with a cluster of 5 round-type stainless steel air nozzles.



Material: Stainless steel

## DIMENSIONS



- Total air volume = Air volume for 1pc. of round-type stainless steel air nozzle x 5 (the number of nozzles)
- Available with 4pcs. or 5pcs. or 7pcs. of nozzles mounted
- Inquire with us for the light-weight type (header and adaptor made of aluminum A6061).

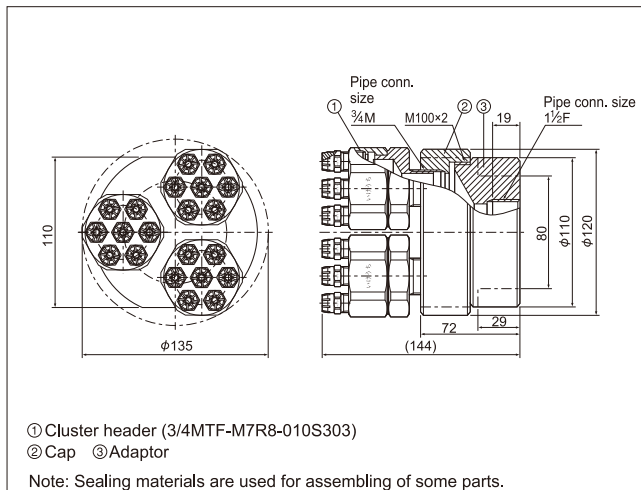
Triple cluster header

► Triple cluster header includes 3 clusters each equipped with 7 round-type stainless steel air nozzles.



Material: Stainless steel

## DIMENSIONS



- Total air volume = Air volume for 1pc. of round-type stainless steel air nozzle x 21 (the number of nozzles)
- Inquire with us for the light-weight type (header, adaptor and cap made of aluminum A6061).

## How to order

Please inquire or order for a specific nozzle using this coding system.

### ① Cluster header

<Example> 3/8F TF-M5R 8-010 S303

**3/8F TF-M5R 8-010 S303**

Orifice diameter code\*

■ 8-008 ■ 8-012 ■ 8-016  
■ 8-010 ■ 8-014

### ② Triple cluster header

<Example> 1 1/2F TF-3M7R 8-010 S303

**1 1/2F TF-3M7R 8-010 S303**

Orifice diameter code\*

■ 8-008 ■ 8-012 ■ 8-016  
■ 8-010 ■ 8-014

\*Please refer to page 8, round-type stainless steel air nozzles.