

Air Booster Nozzles

42mm wide

- ▶ Uniform distribution resulting from the unique flat design.
- ▶ 42mm wide standard flat air nozzle with $\phi 1.0\text{mm}$ orifice.

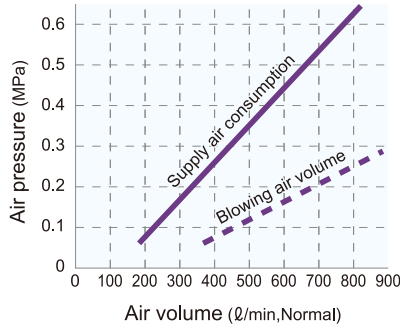
Flat Type



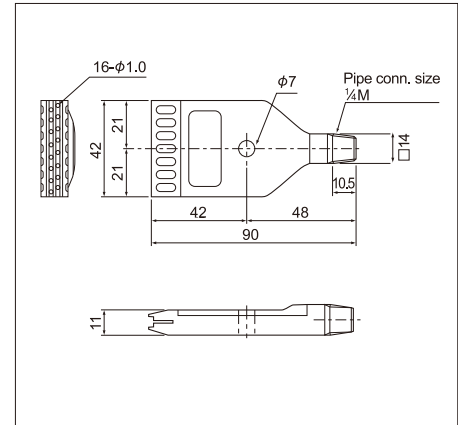
【Spray pattern】



Material: PPS
 Mass: 30g
 Max. air pressure: 0.7MPa (100psi)
 Max. allowable temperature: 130°C (260°F)



■ DIMENSIONS



24mm wide
 Compact type

- ▶ Ultra-compact air nozzle (24mm wide, 30mm long) with equal high spray impact and minimal noise level.
- ▶ Compact enough to install in a narrow space, such as for blow-off drying in corners.

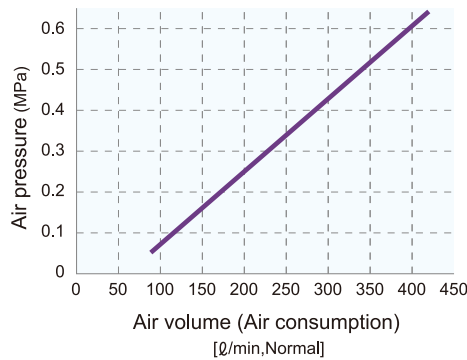
Flat Type



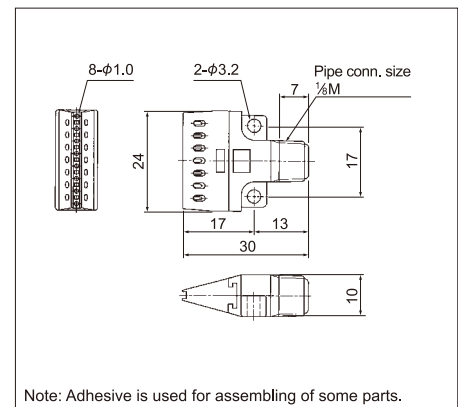
【Spray pattern】



Material: PPS
 Mass: 4g
 Max. air pressure: 0.7MPa (100psi)
 Max. allowable temperature: 130°C (260°F)



■ DIMENSIONS



How to order

Please inquire or order for a specific nozzle using this coding system.

① 42mm type

1/4 M (PT) TF-F 42-16-010 PPS

Thread type
 ■ (PT)
 ■ (NPT)

② 24mm compact type

1/8 M TF-F 24-8-010 PPS-IN