

For compressors

Flat Type
Stainless Steel

FEATURES

- Powerful air nozzle dramatically multiplies the supplied air volume.
- Uniform distribution resulting from the unique flat design.

Flat Type



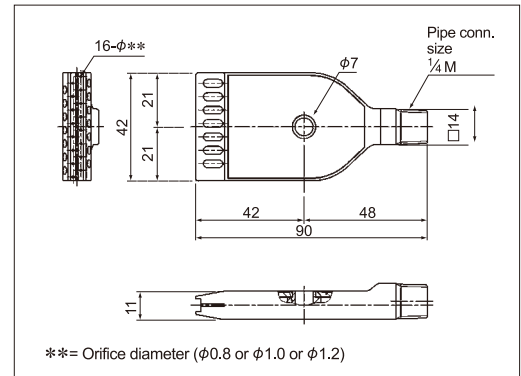
42mm wide

- ▶ 42mm wide standard flat air nozzle, available in 3 orifice diameters, $\phi 0.8$, $\phi 1.0$, $\phi 1.2$ mm.
- ▶ Made of stainless steel with high resistance to shock and heat.

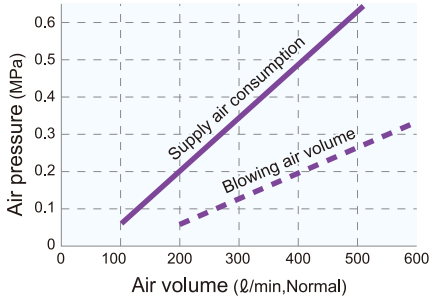


Material: S316L equivalent
Mass: 144g
Max. air pressure: 1.0MPa (140psi)
Max. allowable temperature: 400°C (750°F)

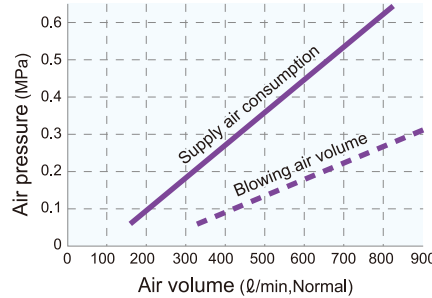
DIMENSIONS



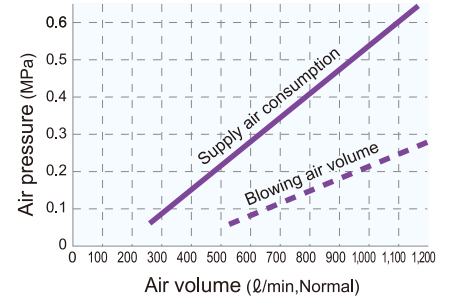
【Orifice diameter $\phi 0.8$ 】



【Orifice diameter $\phi 1.0$ 】



【Orifice diameter $\phi 1.2$ 】



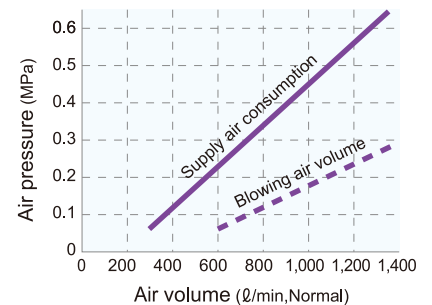
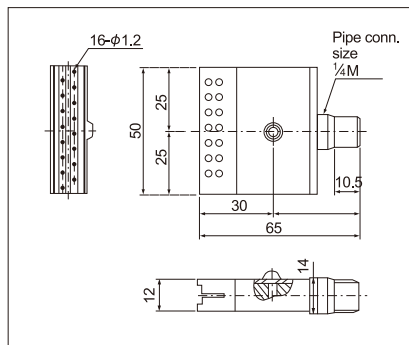
50mm wide type

- ▶ Compact and wider flat air nozzle, 50mm wide and 65 mm long.



Material: S304
Mass: 140g
Max. air pressure: 1.0MPa (140psi)
Max. allowable temperature: 400°C (750°F)

DIMENSIONS



How to order

Please inquire or order for a specific nozzle using this coding system.

① 42mm type <Example> 1/4M(PT) TF-F 42-16-010 S316L-IN

1/4M(PT) TF-F 42-16-010 S316L-IN

Thread type
■ (PT)
■ (NPT)

Orifice diameter code
■ 008 ($\phi 0.8$)
■ 010 ($\phi 1.0$)
■ 012 ($\phi 1.2$)

② 50mm type

1/4M TF-F 50-16-012 S304