

Air Booster Nozzles

For blowers

Round Type

FEATURES

- Blower air nozzles, **reducing energy cost to about 1/3** that of compressed air driven nozzles.
- Unique design combining air-amplification, even air blow distribution, and low-noise capabilities.

Round Type



【Spray pattern】

► Air nozzle with pinpoint aim for gaps and narrow spaces.

Plastic



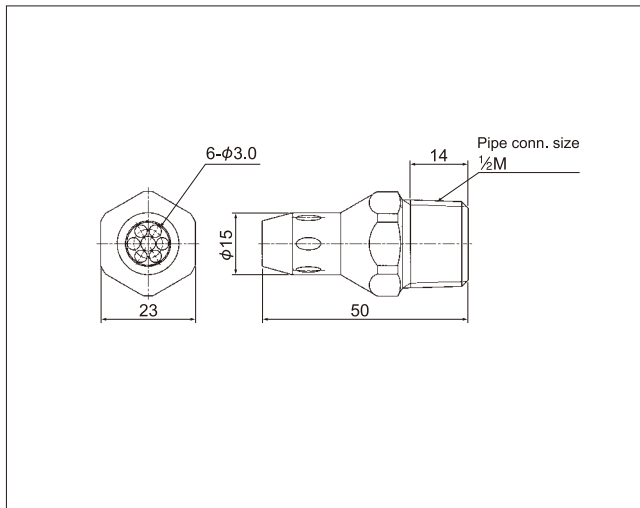
Material: ABS
 Mass: 8g
 Max. air pressure: 100kPa (14psi)
 Max. allowable temperature: 80°C (170°F)

Metal



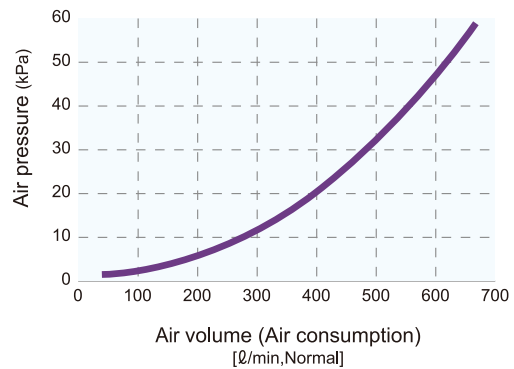
Material: Aluminum A5052
 Mass: 20g
 Max. air pressure: 100kPa (14psi)
 Max. allowable temperature: 400°C (750°F)

■ DIMENSIONS



■ AIR CONSUMPTION (ℓ/min, Normal)

Air pressure			
20kPa	30kPa	40kPa	50kPa
400	490	550	610



How to order

Please inquire or order using this product code (select material).

<Example> 1/2M TF-BR 6-030 ABS

1/2M TF-BR 6-030 ABS

Material
 ■ ABS
 ■ A5052