

For blowers

Long Flat Type

FEATURES

- Blower-air driven long, flat type for air blowing over greater widths.
- Space-saving design, suitable for narrow spaces.
- Made of plastic resin (PPS nozzle tip and HTPVC pipe header) or Aluminum.
- Configured as combinations of $\phi 3\text{mm}$ orifices in 42mm-wide tip units. Available in lengths of multiples of 42mm.

Flat Type



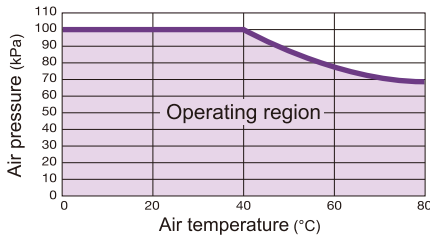
Plastic

► Lightweight plastic, long type.



Material: PPS (nozzle tip), HTPVC (pipe header)
 Orifice diameter: 3.0mm
 Max. air pressure: 100kPa (14psi)
 Max. allowable temperature: 80°C (170°F)

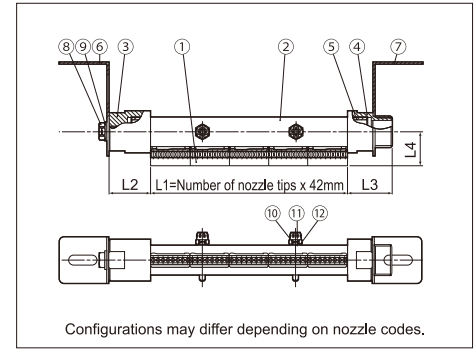
OPERATING PRESSURE RANGE



MATERIAL

No.	Component	Material	Remark
①	Nozzle tip	PPS	
②	Pipe	HTPVC	
③	Cap	HTPVC	PPS for 2 1/2"
④	Adaptor	HTPVC	PPS for 2 1/2"
⑤	Sleeve	HTPVC	
⑥	Plate(Fixed)	S304	Optional
⑦	Plate(Loose)	S304	Optional
⑧	Bolt(M10)	S304	Optional
⑨	Washer(M10)	S304	Optional
⑩	Bolt(M6)	S304	
⑪	Packing	PTFE	
⑫	Washer(M6)	S304	

DIMENSIONS



Note: Sealing materials are used for assembling of some parts.

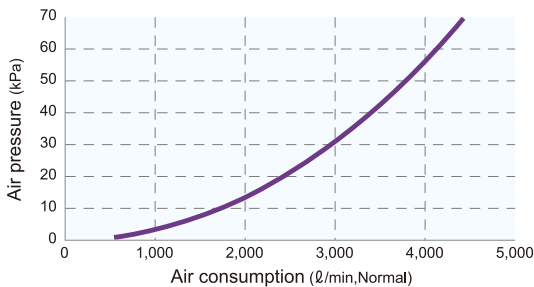
DIMENSIONS & MASS

Pipe conn. size	Number of nozzle tips	Outer dimensions (mm)				Mass (g)	
		L1	L2	L3	L4	TAIFUJet	Plate
1M	2 - 5	84 - 210	45	48	36	180 - 270	200
1 1/2M	6 - 13	252 - 546	56	66	44	350 - 840	500
2M	14 - 22	588 - 924	66	73	50	1,120 - 1,830	500
2 1/2M	23 - 38	966 - 1,596	74	84	58	1,930 - 3,900	500

STANDARD PLASTIC MODELS

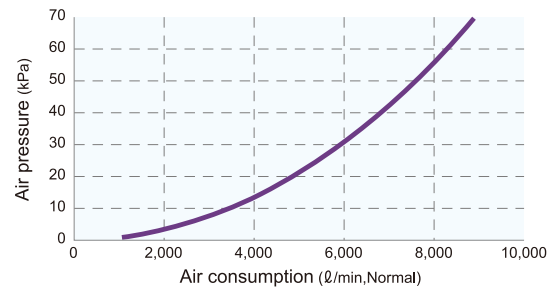
1", 210mm spray width

Nozzle code: 1M TF-BPF 210-40-030 PPS+HTPVC



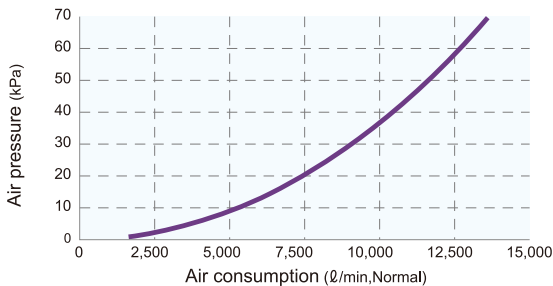
1 1/2", 420mm spray width

Nozzle code: 1 1/2M TF-BPF 420-80-030 PPS+HTPVC



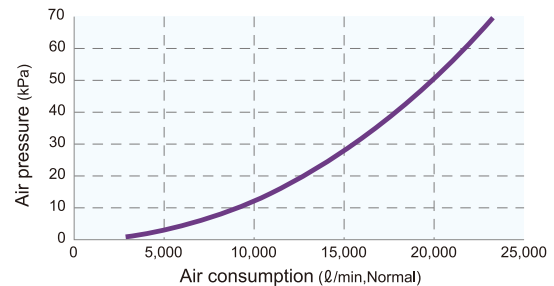
2", 630mm spray width

Nozzle code: 2M TF-BPF 630-120-030 PPS+HTPVC



2 1/2", 1,008mm spray width

Nozzle code: 2 1/2M TF-BPF 1008-192-030 PPS+HTPVC



Metal

► Heat-resistant aluminum, long type.



Material: Aluminum
 Orifice diameter: 3.0mm
 Max. air pressure: 100kPa (14psi)
 Max. allowable temperature: 316°C (600°F)

How to order

Please contact us for required spray widths and we will contact you with the technical specifications.