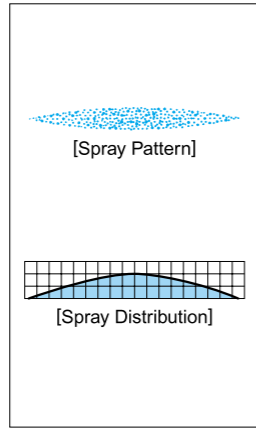


Flat Spray Nozzles with ON/OFF Control

SO-V



[Features]

- Flat spray pattern with a mountain-shaped spray distribution having gradually tapered edges.
- Prevents dripping after spraying stops.
- Quick response ON/OFF spray within 1 second.
- Spray ON/OFF can be regulated by pilot air ON/OFF.

[Standard Pressure]

0.3MPa

[Applications]

Coating : Release agent, lubricant, food additive (seasoning)
Moisture control : Paper, food, etc.

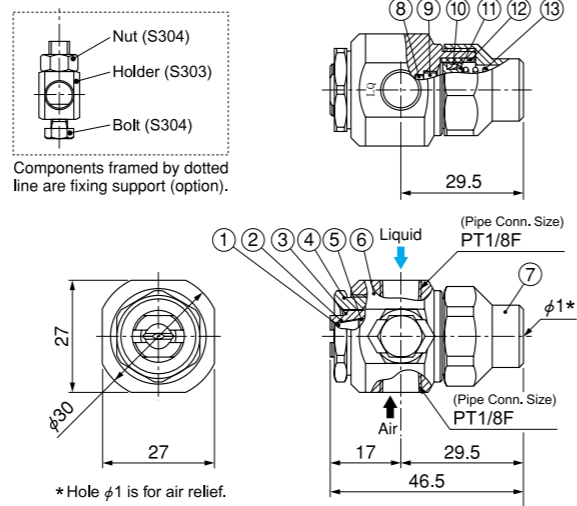
SO-V series

SO-V series	
Structure	Spray ON/OFF can be regulated by switching the pilot air ON/OFF. The pilot air actuates an internal piston to regulate the spray.
Material	• Spray orifice : ceramic • Metal parts : S303 (stainless steel 303)
Mass	150g
Pipe Conn. Size	1/8F (for both air and liquid inlets)

[Note] Appearance and dimensions may differ slightly depending on materials and nozzle codes.

Fixing support (Optional)

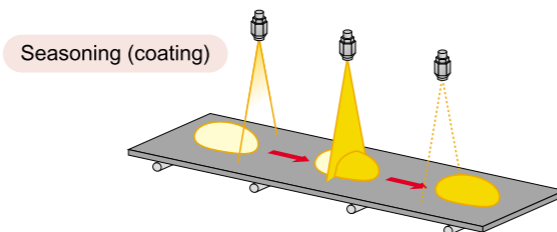
Fixing support is available for fixing SO-V nozzles on a pole at spray direction as desired. Please specify "(with $\phi 10$ fixing support)" at the end of product code to order.



- ① Ceramic orifice ② Adhesive : Araldite® ③ Retainer ④ Cap
⑤ Packing (PTFE) ⑥ Adaptor ⑦ Spring cap ⑧ O-ring (FKM)
⑨ Lock nut ⑩ Y-packing (NBR) ⑪ Piston ⑫ Sleeve ⑬ Spring (S304)

Spray Capacity Code	Pipe Conn. Size	Spray Angle Code								Spray Capacity (ℓ/min)
		0.3MPa								
		115°	90°	80°	65°	50°	40°	25°	15°	
02	1/8F (Air / Liquid)									0.20
03		○	○	○	○	○	○	○	○	0.30
04		○	○	○	○	○	○	○	○	0.40
05		○	○	○	○	○	○	○	○	0.50
07		○	○	○	○	○	○	○	○	0.70
10		○	○	○	○	○	○	○	○	1.00
15		○	○	○	○	○	○	○	○	1.50
20	○	○	○	○	○	○	○	○	2.00	

For the spray angle and spray capacity at pressures other than 0.3MPa, please refer to the chart of V series on pages 13-14.



Operation time chart

Liquid	Stop	Spray	Stop	Spray	Stop
Pilot air	OFF	ON	OFF	ON	OFF

How to order Please inquire or order for a specific nozzle using this coding system.

Example: ...1/8SO-V11503S303 (with $\phi 10$ fixing support)

1/8 SO-V 115 03 S303 (with $\phi 10$ fixing support)

Spray Angle Code	Spray Capacity Code
115	02
90	03
80	04
65	05
50	07
40	10
25	15
15	20

ALSO AVAILABLE!

Solid Stream Jet with ON/OFF Control
SO-CM series

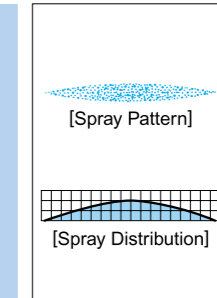
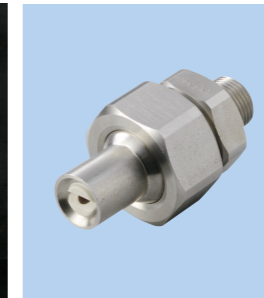
See p.98 of this catalog.

CAUTIONS

- Supply liquid pressure at 0.5MPa or less. • Supply pilot air pressure at between 0.2-0.5MPa.
- Pilot air ON/OFF regulates spray ON/OFF.
- Recommend use with a 3-way solenoid valve to purge the air inside/between the solenoid valve and SO-V nozzle at OFF time, for better shut-off and preventing dripping.

Universal-Joint Type Flat Spray Nozzles

UT+VP



[Features]

- Flat spray pattern with a mountain-shaped spray distribution having gradually tapered edges.
- Spray direction is adjustable over a range of 40 degrees as desired.

[Standard Pressure]

0.3MPa

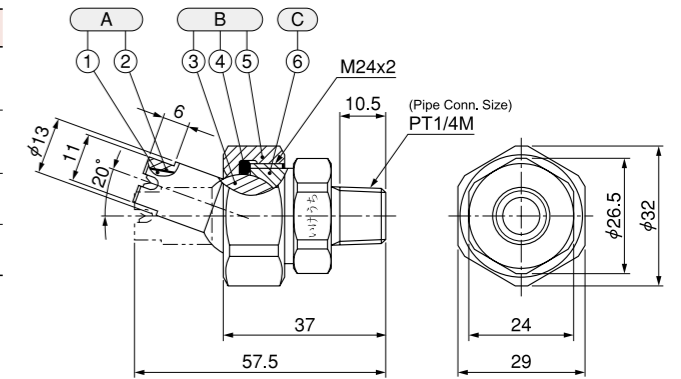
[Applications]

Cleaning : Cars, vehicles, containers, films, felts, filters, screens, bottles, gravel, stones, sand, metal parts, machines, steel plates, steel pieces, etc.
Spraying : Conveyor lubricant, etc.

UT+VP-series

UT+VP-series	
Structure	Comprised of a nozzle and universal joint which can adjust spray direction.
Material	• Spray orifice : ceramic • Metal parts : S303 (stainless steel 303)
Mass	120g
Pipe Conn. Size	1/4M

[Note] Appearance and dimensions may differ slightly depending on materials and nozzle codes.



- Ⓐ Nozzle (① Nozzle tip ② Adhesive : Araldite®)
Ⓑ Ball (③ Ball ④ O-ring [NBR] ⑤ Cap)
Ⓒ Adaptor (⑥ Adaptor)

Spray Angle Code	Spray Capacity Code	Pipe Conn. Size	Spray Angle			Spray Capacity (ℓ/min)						Mean Drop. Dia. (μm)	Free Pass. Dia. (mm)			
			0.15 MPa	0.3 MPa	0.7 MPa	0.1 MPa	0.15 MPa	0.2 MPa	0.3 MPa	0.5 MPa	0.7 MPa			1 MPa	2 MPa	
80°	30	1/4M	70°	80°	87°	1.73	2.12	2.45	3.00	3.88	4.58	5.48	7.75	290	1.0	
	50		71°	80°	86°	2.89	3.54	4.08	5.00	6.46	7.64	9.13	12.90	310	1.4	
	80		72°	80°	86°	4.62	5.66	6.53	8.00	10.30	12.20	14.60	20.60	430	1.7	
65°	30		1/4M	56°	65°	72°	1.73	2.12	2.45	3.00	3.88	4.58	5.48	7.75	310	1.1
	50			57°	65°	71°	2.89	3.54	4.08	5.00	6.46	7.64	9.13	12.90	310	1.5
	80			58°	65°	71°	4.62	5.66	6.53	8.00	10.30	12.20	14.60	20.60	460	1.9
50°	30			1/4M	42°	50°	56°	1.73	2.12	2.45	3.00	3.88	4.58	5.48	7.75	340
	50	43°			50°	55°	2.89	3.54	4.08	5.00	6.46	7.64	9.13	12.90	310	1.6
	80	43°			50°	55°	4.62	5.66	6.53	8.00	10.30	12.20	14.60	20.60	500	2.0

[Note] Spray nozzle performance is guaranteed only when the nozzle is set with no angled.

How to order Please inquire or order for a specific nozzle using this coding system.

Example: ...1/4MUT+VP8030S303

1/4M UT+VP 80 30 S303

Spray Angle Code	Spray Capacity Code
80	30
65	50
50	80

ALSO AVAILABLE!

Universal-Joint Type Solid Stream Jet
UT+CP series

See p.99 of this catalog.