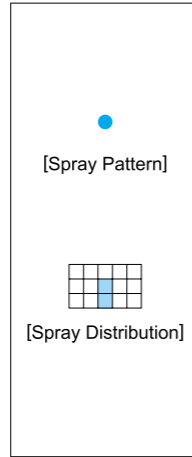


Self-cleaning Solid Stream Jet

MOMOJet® "C"



[Features]

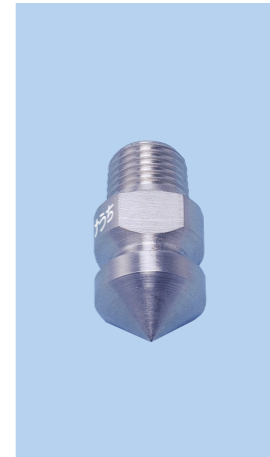
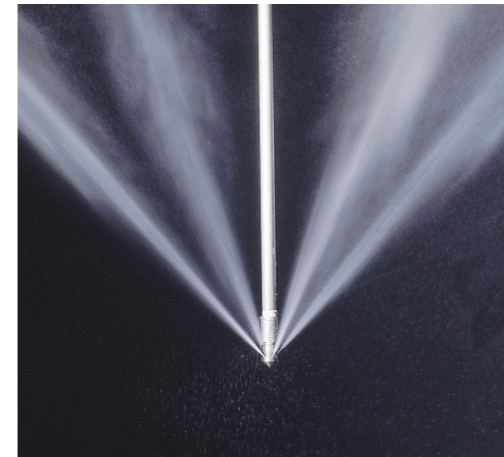
- High impact solid stream.
- If clogged, by reducing the pressure to 0.03MPa, the spray tip is retracted and purges foreign particles. By increasing the pressure to 0.2MPa or above, normal spraying is restored.
- Straight-through orifice is suitable for multiple-nozzle arrangement.

[Standard Pressure]

- 1MPa
- ### [Applications]
- Cleaning : Wire, felt parts and rollers of paper making machines, steel plates, PCB, etc.
 Cooling : Steel plates, etc.
 Foam breaking : Waste water treatment, etc.
 Others : Applications where recirculated water is being used.

Pipe Cleaning Nozzles

RSP



[Features]

- Cleaning inside pipes and tubes, moving itself by means of spraying solid stream jets in different directions as driving force.
- High impact jets effectively remove scale and dirt inside pipes.

[Standard Pressure]

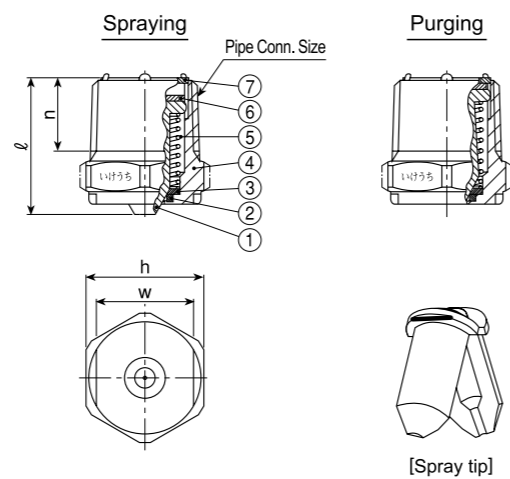
Not specified (RSP is a made-to-order nozzle)

[Applications]

- Cleaning inside pipes (drains, distribution pipes, etc.),
 Removing scale and dirt inside tubes of heat exchangers and cooling machines

MOMOJet® "C"-series

MOMOJet® "C"-series	
Structure	• By changing the liquid pressure, a built-in spring moves the split spray tip up and down and opens the orifice for purging.
Material	• S303 (Stainless steel 303)



Series	Pipe Conn. Size	Dimensions(mm)				Mass (g)
		ℓ ₁	h	W	n	
MOMOJet® "C"	1/2M	27	23	19	14	52

[Note] Appearance and dimensions may differ slightly depending on materials and nozzle codes.

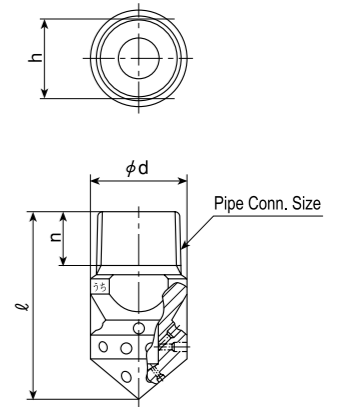
- ① Spray Tip ② Packing (EPDM) ③ Plate ④ Body
 ⑤ Spring ⑥ Packing (EPDM) ⑦ Ring

RSP-series

RSP-series	
Structure	• Made of metal, one-piece structure.
Material	• S303 (stainless steel 303) • Optional material : S420J2

Series	Pipe Conn. Size	Dimensions(mm)				Mass (g)
		ℓ	n	φd	h	
RSP	1/8M	26	7	12	10.5	14
	1/4M	34	9	17	14	30
	3/8M	38	11	19	16	48
	1/2M	42	14	25	22	88

[Note] Appearance and dimensions may differ slightly depending on materials and nozzle codes.



Spray Capacity Code	Pipe Conn. Size	Spray Capacity (ℓ/min)					Orifice Diameter (mm)	
		0.3 MPa	0.5 MPa	0.7 MPa	1 MPa	2 MPa	Spraying	Purging
10	1/2M	0.55	0.71	0.84	1.0	1.41	0.7	1.8
16		0.88	1.13	1.34	1.6	2.26	0.9	1.9
23		1.26	1.63	1.93	2.3	3.25	1.1	2.0
32		1.75	2.26	2.68	3.2	4.53	1.2	2.0
47		2.58	3.32	3.93	4.7	6.65	1.5	2.2
65		3.56	4.60	5.44	6.5	9.19	1.8	2.4

- [Note]
1. At start of spraying, a flow rate of about 9ℓ/min at 0.05MPa is required because the spray tip opens wide. Select an appropriate pump.
 2. MOMOJet® is designed to start spraying at 0.1MPa, use at 0.2MPa or higher is recommended.
 3. As these nozzles have active spray tips, under the standard pressure there is only a guarantee of spray capacity within +/-10%.

How to order Please inquire or order for a specific nozzle using this coding system.

⟨Example⟩...1/2MOMOC10S303

1/2 MOMOC 10 S303

Spray Capacity Code
 10
 5
 65

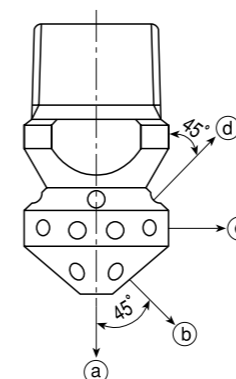
ALSO AVAILABLE!

Self-cleaning Flat Spray Nozzle
MOMOJet®

See p.37 of this catalog.

How to order

RSP is a made-to-order product. Please select pipe connection size, orifice diameter, and the number of orifices in each direction according to the following "HOW TO SELECT RSP".



⟨Example⟩...1/8MRSP(0.6) $\frac{(0.6)^3}{(0.6)^3}$ (0.6)³S303

1/8M RSP (a) $\frac{(b)^{\square}}{(c)^{\square}}$ (d)[□] S303

- Pipe Conn. Size
 1/8M
 1/4M
 3/8M
 1/2M

() : Orifice diameter for directions a through d.
 □ : Number of orifices for directions b through d.

[Note] To indicate no orifices in a direction, use "0" as orifice diameter.