

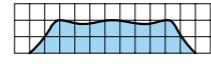
Standard Type Full Cone Spray Nozzles

JJXP-PP / JJXP-PVDF

Standard Type Full Cone Spray Nozzles JJXP-PP / JJXP-PVDF series



[Spray Pattern]



[Spray Distribution]

[Features]

- Full cone spray pattern with a round impact area and uniform distribution.
- X-shaped whirler provides large free passage diameter for minimal clogging.

[Standard Pressure]

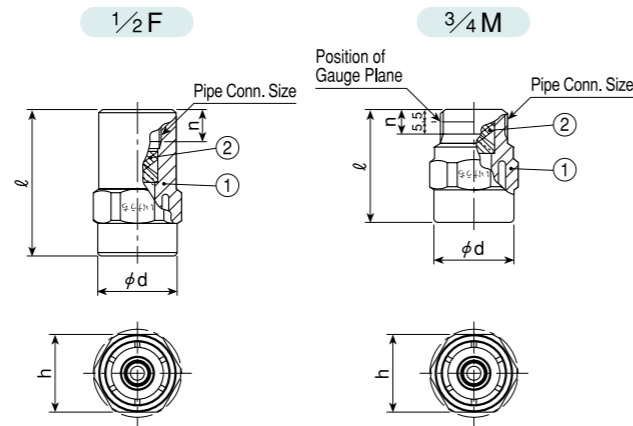
0.2MPa

[Applications]

- Cleaning : Machinery, screens, tanks, gravel, stones, sand, etc.
 Cooling : Machinery, tanks, etc.
 Spraying : Waste water treatment, aeration, foam breaking, dust suppression, etching, chemicals, etc.

JJXP-PP series

JJXP-PP series	
Structure	• One-piece structure with press-fit X-shaped whirler.
Material	• PP (polypropylene)



①Body ②Whirler

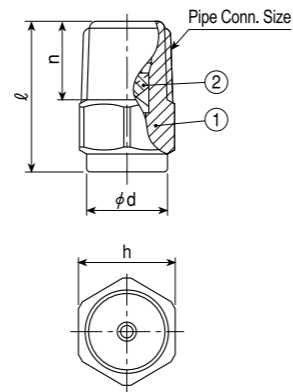
Series	Pipe Conn. Size	Dimensions(mm)				Mass(g)
		ℓ	h	n	φd	
JJXP-PP	1/2 F	56	32	13	31	25.3
	3/4 M	44	32	10	31	17.9

[Note] Appearance and dimensions may differ slightly depending on materials and nozzle codes.

* Please note that the position of standard diameter for male thread type has been changed.

JJXP-PVDF series

JJXP-PVDF series	
Structure	• One-piece structure with press-fit X-shaped whirler.
Material	• PVDF (polyvinylidene fluoride)



①Body ②Whirler

Series	Pipe Conn. Size	Dimensions(mm)				Mass(g)
		ℓ	h	φd	n	
JJXP-PVDF	1/8 M	18	12	11.5	8	2.2
	1/4 M	22	14	11.5	11.5	4.1

[Note] Appearance and dimensions may differ slightly depending on materials and nozzle codes.

JJXP-PP series

Spray Capacity Code	Pipe Conn. Size		Spray Angle			Spray Capacity (ℓ/min)								Mean Drop. Dia. (μm)	Free Pass. Dia. (mm)	
	1/2 F	3/4 M	0.05 MPa	0.2 MPa	0.5 MPa	0.03 MPa	0.05 MPa	0.1 MPa	0.15 MPa	0.2 MPa	0.3 MPa	0.5 MPa	0.7 MPa			1 MPa
2 ¹⁰⁰ / ₁₂	○	●	96°	100°	92°	5.03	6.35	8.73	10.5	12.0	14.2	17.4	20.0	23.1	570	3.1
2 ¹⁰⁰ / ₁₃	○	○	96°	100°	92°	5.44	6.88	9.46	11.4	13.0	15.3	18.9	21.7	25.1		3.1
2 ¹⁰⁰ / ₁₄	●	●	96°	100°	92°	5.86	7.41	10.2	12.3	14.0	16.5	20.3	23.3	27.0		3.5
2 ¹⁰⁰ / ₁₅	●	●	96°	100°	92°	6.28	7.94	10.9	13.1	15.0	17.7	21.8	25.0	28.9		3.5
2 ¹⁰⁰ / ₁₆	●	●	96°	100°	92°	6.70	8.47	11.6	14.0	16.0	18.9	23.3	26.7	30.9		3.5
2 ¹⁰⁰ / ₁₈	●	●	96°	100°	92°	7.54	9.53	13.1	15.8	18.0	21.2	26.2	30.0	34.7		3.5
2 ¹⁰⁰ / ₂₀	●	●	96°	100°	92°	8.38	10.6	14.6	17.5	20.0	23.6	29.1	33.4	38.6	740	3.5

* The nozzles with black dot "●" are available.

JJXP-PVDF series

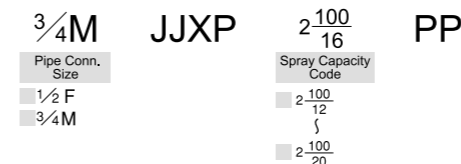
Spray Capacity Code	Pipe Conn. Size		Spray Angle			Spray Capacity (ℓ/min)								Mean Drop. Dia. (μm)	Free Pass. Dia. (mm)	
	1/8 M	1/4 M	0.05 MPa	0.2 MPa	0.5 MPa	0.03 MPa	0.05 MPa	0.1 MPa	0.15 MPa	0.2 MPa	0.3 MPa	0.5 MPa	0.7 MPa			1 MPa
010	○	○	60°	65°	55°	—	0.53	0.73	0.88	1.00	1.18	1.45	1.67	1.93	290	0.8
015	○	○	60°	65°	55°	—	0.79	1.09	1.32	1.50	1.77	2.18	2.50	2.89		1.0
020	○	○	60°	65°	55°	—	1.06	1.46	1.75	2.00	2.36	2.91	3.34	3.86		1.5
025	○	○	60°	65°	55°	—	1.32	1.82	2.20	2.50	2.95	3.62	4.17	4.82		1.5
030	○	○	60°	65°	55°	—	1.59	2.18	2.63	3.00	3.54	4.36	5.00	5.79	410	1.5

How to order

Please inquire or order for a specific nozzle using this coding system.

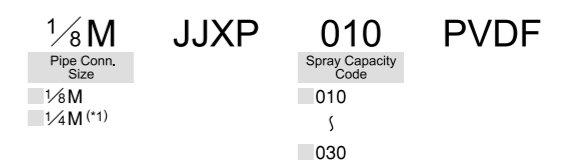
① JJXP-PP

<Example>...3/4MJJXP2¹⁰⁰/₁₆PP



② JJXP-PVDF

<Example>...1/8MJJXP010PVDF



*1) Pipe connection size code is indicated as "1/4 x 1/8 M" for JJXP-PVDF with 1/4 M thread.