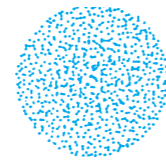


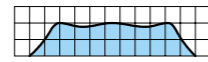
Standard Type Full Cone Spray Nozzles

JJXP-HTPVC/JJXP-PVC

For spraying chemicals such as hydrochloric acid, heat-treated HTPVC injection-molded JJXP-HTPVC nozzles are available.



[Spray Pattern]



[Spray Distribution]

[Features]

- Full cone spray pattern with a round impact area and uniform distribution.
- X-shaped whirler provides large free passage diameter for minimal clogging.
- X-shaped whirler is removable for easy maintenance.

[Standard Pressure]

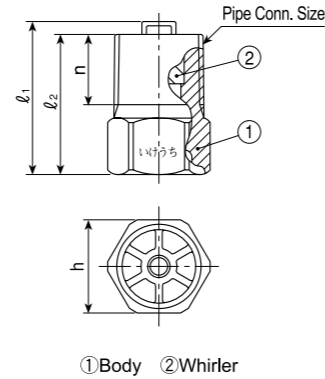
0.2MPa

[Applications]

Spraying : Etchants, chemicals, etc.
Cleaning : Printed circuit boards, etc.

JJXP-HTPVC series

JJXP-HTPVC series	
Structure	• One-piece structure with removable X-shaped whirler.
Material	• HTPVC (heat-treated polyvinyl chloride)

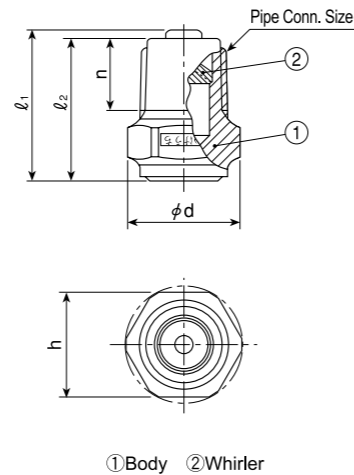


Series	Pipe Conn. Size	Dimensions(mm)				Mass(g)
		l ₁	l ₂	h	n	
JJXP-HTPVC	1/4M	23	21	14	10.5	2.5

[Note] Appearance and dimensions may differ slightly depending on materials and nozzle codes.

JJXP-PVC series

JJXP-PVC series	
Structure	• One-piece structure with removable X-shaped whirler.
Material	• PVC (polyvinyl chloride)



Series	Pipe Conn. Size	Dimensions(mm)					Mass(g)
		l ₁	l ₂	h	n	φd	
JJXP-PVC	1/8M	16.9	16	12	8	10	1.4

[Note] Appearance and dimensions may differ slightly depending on materials and nozzle codes.

Standard Type Full Cone Spray Nozzles JJXP-HTPVC / JJXP-PVC series

JJXP-HTPVC series

Spray Capacity Code	Pipe Conn. Size	Spray Angle			Spray Capacity (ℓ/min)								Mean Drop. Dia. (μm)	Free Pass. Dia. (mm)	
		0.05 MPa	0.2 MPa	0.5 MPa	0.03 MPa	0.05 MPa	0.1 MPa	0.15 MPa	0.2 MPa	0.3 MPa	0.5 MPa	0.7 MPa			1 MPa
040	1/4M	60°	65°	55°	—	2.12	2.91	3.51	4.00	4.72	5.81	6.67	7.72	380	2.2
050		65°	70°	60°	—	2.65	3.64	4.38	5.00	5.90	7.27	8.34	9.64	5	2.2
060		70°	75°	65°	2.51	3.18	4.37	5.26	6.00	7.08	8.72	10.0	11.6	520	2.2

JJXP-PVC series

Spray Capacity Code	Spray Angle			Spray Capacity (ℓ/min)								Mean Drop. Dia. (μm)	Free Pass. Dia. (mm)	
	0.05 MPa	0.2 MPa	0.5 MPa	0.03 MPa	0.05 MPa	0.1 MPa	0.15 MPa	0.2 MPa	0.3 MPa	0.5 MPa	0.7 MPa			1 MPa
2 7/8	70°	75°	66°	—	1.06	1.46	1.75	2.00	2.36	2.91	3.34	3.86	350	1.5

How to order

Please inquire or order for a specific nozzle using this coding system.

① JJXP-HTPVC

〈Example〉...1/4MJJXP040HTPVC

1/4M JJXP 040 HTPVC

Spray Capacity Code
040
050
060

② JJXP-PVC

1/8M JJXP 2-75/2 PVC