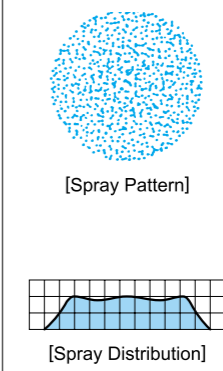


All Alumina Ceramic / Full Cone Spray Nozzles  
**JUXP-AL92 series**

Spray Capacity Code	Pipe Conn. Size					Spray Angle			Spray Capacity (ℓ/min)									Mean Drop. Dia. (μm)	Free Pass. Dia. (mm)	
	1M	1½M	2M	2½M (250~350)	2½M (400~550)	3M	0.05 MPa	0.2 MPa	0.5 MPa	0.03 MPa	0.05 MPa	0.1 MPa	0.15 MPa	0.2 MPa	0.3 MPa	0.5 MPa	0.7 MPa			1 MPa
400					○		75°	80°	65°	170	210	290	350	400	470	580	670	770	1300	13.4
450					○		90°	90°	75°	190	240	330	395	450	530	655	750	870	5	13.4
500					○		95°	95°	80°	210	265	365	440	500	590	730	835	965	13.4	
550					○		100°	100°	85°	230	290	400	480	550	650	800	920	1060	1550	13.4
600					○		75°	80°	65°	250	320	440	525	600	710	870	1000	1160	1500	17.0
700					○		85°	90°	75°	290	370	510	615	700	826	1020	1170	1359	1800	17.0

# Small Capacity Full Cone Spray Nozzles

# JJRP



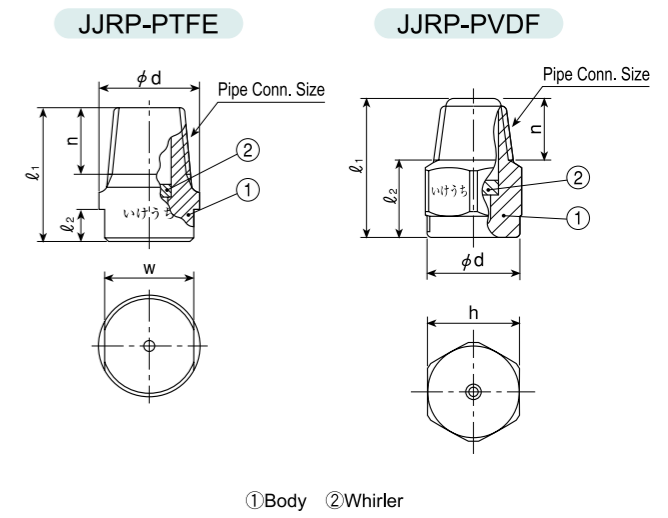
- [Features]**
- Small capacity full cone spray nozzles made of excellent wear-resistant PTFE (polytetrafluoroethylene) and injection molded PVDF (polyvinylidene fluoride).
  - Disc whirler is designed to provide uniform spray distribution at small spray capacity.
- [Standard Pressure]**  
0.2MPa
- [Applications]**  
Spraying : Etchants, acid liquids, etc.  
Cleaning : For spraying pure water, etc.

Full Cone

Full Cone

### JJRP-series

JJRP-series	
Structure	• One-piece structure with press-fit disc whirler. • JJRP-PVDF nozzle body is injection molded.
Material	• PTFE (polytetrafluoroethylene), PVDF (polyvinylidene fluoride)



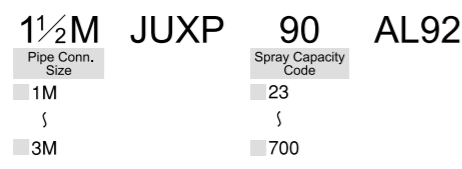
Series	Pipe Conn. Size	Dimensions(mm)					Mass (g)
		ℓ <sub>1</sub>	ℓ <sub>2</sub>	w	φd	h	
JJRP-PTFE	1/8M	16	4	10	12	—	7
	1/4M	21	5	14	16	—	10.5
JJRP-PVDF	1/8M	18	10	—	11.5	12	8
	1/4M	22	10.5	—	12	14	11.5

[Note] Appearance and dimensions may differ slightly depending on materials and nozzle codes.

①Body ②Whirler

### How to order Please inquire or order for a specific nozzle using this coding system.

(Example) ...1½MJUXP90AL92

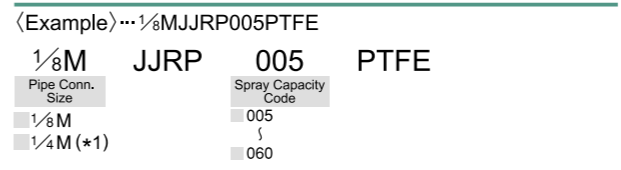


Spray Capacity Code	JJRP-PTFE		JJRP-PVDF		Spray Angle			Spray Capacity (ℓ/min)									Mean Drop. Dia. (μm)	Free Pass. Dia. (mm)
	1/8M	1/4M	1/8M	1/4M	0.15 MPa	0.2 MPa	0.5 MPa	0.05 MPa	0.1 MPa	0.15 MPa	0.2 MPa	0.3 MPa	0.5 MPa	0.7 MPa	1 MPa			
005	○	○	○	○	56°	60°	60°	—	0.36	0.44	0.50	0.59	0.74	0.85	0.99	260	0.4	
007	○	○	○	○	60°	65°	62°	—	0.51	0.61	0.70	0.83	1.03	1.19	1.39	5	0.6	
010	○	○	○	○	63°	65°	62°	—	0.73	0.88	1.00	1.19	1.48	1.70	1.98	5	0.8	
015	○	○	○	○	64°	70°	72°	0.79	1.09	1.31	1.50	1.78	2.22	2.56	2.98	5	1.0	
020	○	○	○	○	64°	70°	72°	1.06	1.45	1.75	2.00	2.38	2.95	3.41	3.97	5	1.2	
030	○	○	○	○	75°	80°	78°	1.58	2.18	2.63	3.00	3.56	4.43	5.11	5.95	410	1.3	
040		○			67°	70°	65°	2.11	2.91	3.50	4.00	4.75	5.91	6.82	7.93	380	1.4	
050		○			76°	80°	70°	2.64	3.63	4.38	5.00	5.94	7.38	8.52	9.92	5	1.6	
060		○			88°	90°	80°	3.17	4.36	5.26	6.00	7.13	8.86	10.2	11.9	520	1.6	

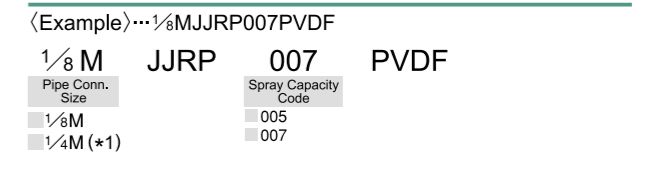
\*Only the nozzles with white circle "○" in the above table are available.

### How to order Please inquire or order for a specific nozzle using this coding system.

#### ① JJRP-PTFE



#### ② JJRP-PVDF



\*1) Pipe connection size code is indicated as "1/4 x 1/8M" when spray capacity is 005-030.