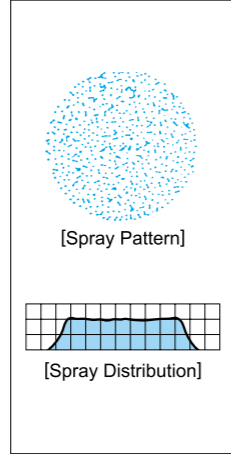
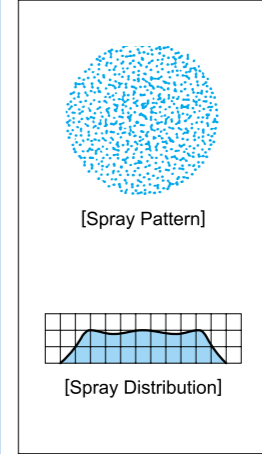


Small Capacity Full Cone Spray Nozzles



- [Features]**
- Full cone spray pattern with a round impact area and uniform distribution.
 - Features smallest spray capacity among full cone spray nozzles.
 - Unique design developed from new engineering concept to produce fine atomization by impinging two inflows inside vortex chamber.
 - Ceramic orifice and closer provide excellent wear-resistance.
- [Standard Pressure]**
0.5MPa for spray capacity codes of 006 and 008.
0.2MPa for spray capacity codes of 010 and over.
- [Applications]**
Spraying : Oils, lubricants, glues, etchants, etc.
Cleaning : Galvanizing, gases, etc.
Cooling : Machinery, gases, etc.

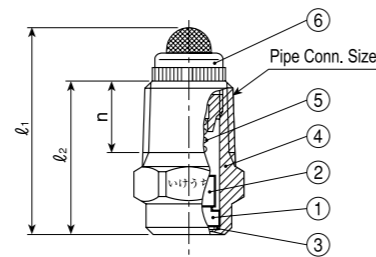
Flange-type, Large Capacity Full Cone Spray Nozzles



- [Features]**
- Full cone spray pattern with a round impact area and uniform distribution.
 - Flanged connection.
 - X-shaped whirler provides large free passage diameter for minimal clogging.
 - Adopting newly developed X-shaped whirler has shortened total length by 20% compared to conventional nozzles.
- [Standard Pressure]**
0.2MPa
- [Applications]**
Cooling : Gases, liquids, etc.
Reacting : Chemical plants, etc.
Spraying : Aeration, sea water desalination, etc.

J-series

J-series (with ceramic orifice inserted)	
Structure	<ul style="list-style-type: none"> • Spray orifice and closer are made of ceramics. • It can be disassembled into components. • All J nozzles are equipped with built-in strainers.
Material	<ul style="list-style-type: none"> • Metal parts : B (brass) or S303 (stainless steel 303) • Optional material : S316



Series	Pipe Conn. Size	Dimensions(mm)				Mass(g)	
		ℓ ₁	ℓ ₂	h	n	B	S303
J	1/4 M	30.4	22.5	14	10.5	18.5	17.5

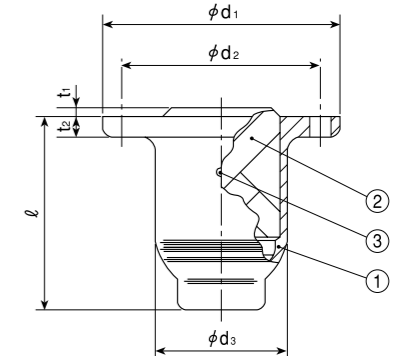
[Note] Appearance and dimensions may differ slightly depending on materials and nozzle codes.

- ①Ceramic orifice ②Ceramic closer ③Packing (PTFE)
④Nozzle body ⑤Spring (S316)
⑥Strainer (B+S304 or S303+S304)

TJJX-series

TJJX-series	
Structure	<ul style="list-style-type: none"> • One-piece structure with removable X-shaped whirler fixed to nozzle body by lock bolt. • Flanged connection.
Material	<ul style="list-style-type: none"> • S304 (stainless steel 304) (SCS13) or S316 (stainless steel 316) (SCS14) • Optional material : S316L (SCS16)

Series	Flange size	Dimensions(mm)						Flange (JIS 10K) Qty. of bolt holes φ(mm)	Mass (kg)	
		ℓ	φd ₁	φd ₂ PCD	φd ₃	t ₁	t ₂			
TJJX	4T	171	210	175	117	8	18	8	19	9.3
	5T	211	250	210	143	9	20	8	23	11.4
	6T	253	280	240	169	10	22	8	23	22.7



[Note] Appearance and dimensions may differ slightly depending on materials and nozzle codes.

- ①Body ②Whirler ③Lock bolt

Spray Capacity Code	Pipe Conn. Size	Spray Angle			Spray Capacity (ℓ/min)								Mean Drop. Dia. (μm)	Free Pass. Dia. (mm)	Strainer Mesh Size	
		0.1 MPa	0.2 MPa	0.5 MPa	0.1 MPa	0.15 MPa	0.2 MPa	0.3 MPa	0.5 MPa	0.7 MPa	1 MPa	1.5 MPa				2 MPa
006	1/4M	—	—	70°	—	—	—	0.07	0.09	0.10	0.12	0.14	0.16	130	0.2	200
008		—	—	70°	—	—	—	0.09	0.12	0.14	0.16	0.19	0.22	140	0.2	200
010		—	70°	65°	—	0.09	0.10	0.12	0.15	0.17	0.20	0.24	0.28	160	0.3	200
012		—	70°	65°	—	0.10	0.12	0.14	0.18	0.21	0.25	0.29	0.33	190	0.3	200
015		—	70°	65°	—	0.13	0.15	0.18	0.23	0.26	0.31	0.37	0.42	170	0.3	200
020		60°	70°	65°	0.14	0.17	0.20	0.24	0.30	0.35	0.41	0.49	0.56	200	0.3	200
025		65°	70°	67°	0.18	0.22	0.25	0.30	0.38	0.44	0.51	0.61	0.70	230	0.3	200
030		67°	70°	68°	0.22	0.26	0.30	0.36	0.45	0.52	0.61	0.73	0.83	220	0.4	150
040		67°	70°	68°	0.29	0.35	0.40	0.48	0.60	0.70	0.82	0.98	1.11	250	0.4	150
050		68°	70°	68°	0.36	0.44	0.50	0.60	0.75	0.87	1.02	1.22	1.39	290	0.5	150
060		68°	70°	68°	0.43	0.52	0.60	0.72	0.90	1.05	1.23	1.47	1.67	280	0.5	150
070		68°	70°	68°	0.51	0.61	0.70	0.84	1.05	1.22	1.43	1.71	1.95	350	0.6	150
080		68°	70°	68°	0.58	0.70	0.80	0.95	1.19	1.38	1.61	1.92	2.18	350	0.7	150
100		68°	70°	68°	0.72	0.87	1.00	1.19	1.49	1.72	2.01	2.40	2.72	440	0.7	100
120	68°	70°	68°	0.87	1.05	1.20	1.43	1.79	2.07	2.42	2.88	3.27	440	0.8	50	
140	68°	70°	68°	1.01	1.22	1.40	1.67	2.09	2.41	2.82	3.36	3.81	440	0.9	50	

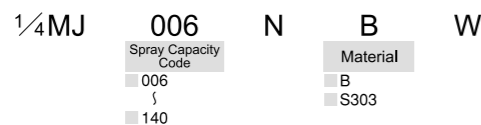
Spray Capacity Code	Flange size			Spray Angle			Spray Capacity (ℓ/min)						Mean Drop. Dia. (μm)	Free Pass. Dia. (mm)	
	4T	5T	6T	0.05 MPa	0.2 MPa	0.5 MPa	0.03 MPa	0.05 MPa	0.1 MPa	0.15 MPa	0.2 MPa	0.3 MPa			0.5 MPa
1500	○			90°	90°	75°	630	795	1090	1315	1500	1770	2180	1850	29
2000	○			100°	100°	85°	840	1060	1460	1755	2000	2360	2910	2500	29
2500		○		90°	90°	75°	1050	1325	1820	2190	2500	2950	3630	2500	36
3000		○		100°	100°	85°	1260	1590	2180	2630	3000	3540	4360	2500	36
3500			○	90°	90°	75°	1470	1850	2550	3070	3500	4130	5090	2650	44
4000			○	95°	95°	80°	1680	2120	2910	3510	4000	4720	5810	2650	44

[Note] TJJX with larger spray flow / larger flange is available upon request.

How to order

Please inquire or order for a specific nozzle using this coding system.

(Example) ... 1/4MJ006NBW



How to order

Please inquire or order for a specific nozzle using this coding system.

(Example) ... 4TJJX1500S304

