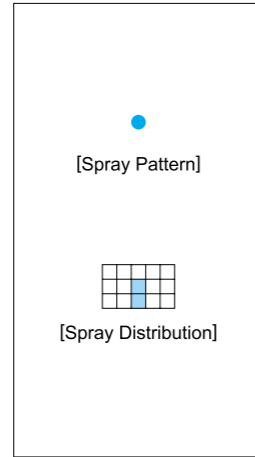


# Standard Solid Stream Jet

# CCP / CP

Standard Solid Stream Jet  
CCP / CP-series



### [Features]

• Our highest impact solid stream. Interior design featuring minimal pressure drop generates much larger flow of solid stream jet as compared with other solid stream nozzles having the same orifice diameters.

### [Standard Pressure]

3MPa

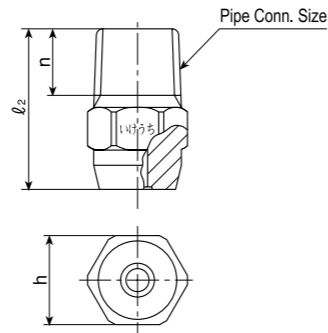
### [Applications]

Cleaning : High pressure jet cleaning, wire and felt parts of paper making machines, vehicles, returnable containers, machinery, parts, etc.

Trimming : Paper making, asbestos plate, etc.

## CCP-series

CCP-series	
Structure	• Made of metal, one-piece structure.
Material	• S303 (stainless steel 303) * Use below 3.5MPa. • Optional material : S316 or others

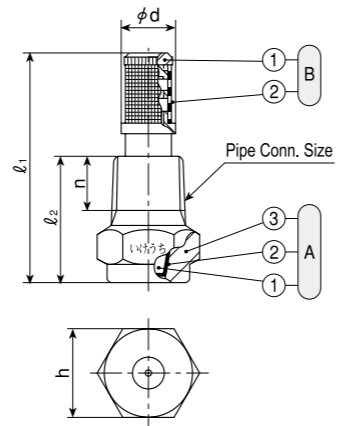


Series	Pipe Conn. Size	Dimensions(mm)					Mass(g)
		l <sub>1</sub>	l <sub>2</sub>	h	n	φ d	
CCP	1/4M	—	26	14	10.5	—	20

[Note] Appearance and dimensions may differ slightly depending on materials and nozzle codes.

## CP-series

CP-series (with ceramic orifice inserted)	
Structure	• One-piece structure with ceramic orifice inserted.
Material	• Spray orifice : ceramic • Metal parts : B (brass) or S303 (stainless steel 303) • Optional material : S316 or others



Series	Pipe Conn. Size	Dimensions(mm)					Mass(g)
		l <sub>1</sub>	l <sub>2</sub>	h	n	φ d	
CP	1/8M	30	16.5	12	7	7.5	7.8
	1/4M	—	26	14	10.5	—	21
	3/8M	—	30	19	11	—	40

Ⓐ Nozzle (① Ceramic orifice ② Adhesive : Araldite® ③ Body)  
Ⓑ Strainer (① Strainer holder ② Strainer screen)

\* For CP with strainer, add 2-5g to the above mass.

[Note] Appearance and dimensions may differ slightly depending on materials and nozzle codes.

Spray Capacity Code	CCP (Metal)		CP (Ceramic orifice inserted)		Spray Capacity (ℓ/min)												Orifice Diameter (mm)	Strainer Mesh Size
	1/4M	1/8M	1/4M	3/8M	1 MPa	2 MPa	2.5 MPa	3 MPa	3.5 MPa	4 MPa	4.5 MPa	5 MPa	6.5 MPa	8 MPa	10 MPa	15 MPa		
25		●			1.43	2.02	2.25	2.47	2.67	2.85	3.03	3.19	3.64	4.03	4.51	5.52	0.8	50
31		●			1.78	2.52	2.82	3.09	3.34	3.57	3.78	3.99	4.55	5.05	5.64	6.91	0.9	50
37		○			2.14	3.03	3.39	3.71	4.01	4.28	4.54	4.79	5.46	6.06	6.77	8.30	1.0	—
43		○			2.50	3.54	3.96	4.33	4.68	5.00	5.30	5.59	6.37	7.06	7.91	9.67	1.1	—
49		○			2.86	4.04	4.52	4.94	5.34	5.71	6.06	6.38	7.28	8.07	9.04	11.1	1.2	—
56		○			3.22	4.54	5.08	5.56	6.01	6.42	6.81	7.18	8.19	9.08	10.2	12.4	1.2	—
62		○			3.57	5.05	5.65	6.18	6.68	7.14	7.57	7.98	9.10	10.1	11.3	13.8	1.3	—
68		○			3.93	5.55	6.21	6.80	7.35	7.85	8.33	8.79	10.0	11.1	12.4	15.2	1.4	—
74		○			4.29	6.06	6.78	7.42	8.01	8.56	9.09	9.58	10.9	12.1	13.6	16.6	1.4	—
80		○			4.65	6.56	7.35	8.04	8.68	9.28	9.85	10.4	11.8	13.1	14.7	18.0	1.5	—
87		○			5.00	7.07	7.91	8.66	9.35	10.0	10.6	11.2	12.8	14.1	15.8	19.4	1.6	—
93		○			5.36	7.58	8.48	9.28	10.0	10.7	11.4	12.0	13.7	15.2	17.0	20.8	1.6	—
99		○			5.72	8.08	9.04	9.89	10.7	11.4	12.1	12.8	14.6	16.2	18.1	22.1	1.7	—
111		○			6.43	9.09	10.2	11.1	12.0	12.9	13.6	14.4	16.4	18.2	20.3	24.9	1.8	—
124		○			7.15	10.1	11.3	12.4	13.4	14.3	15.1	16.0	18.2	20.2	22.6	27.7	1.9	—
136	○	○			7.85	11.1	12.4	13.6	14.7	15.7	16.7	17.6	20.0	22.2	24.8	30.4	2.0	—
148		○			8.57	12.1	13.6	14.8	16.0	17.1	18.2	19.2	21.8	24.2	27.1	33.2	2.0	—
161		○			9.28	13.1	14.7	16.1	17.4	18.6	19.7	20.8	23.7	26.2	29.3	35.9	2.1	—
173		○			9.99	14.1	15.8	17.3	18.7	20.0	21.2	22.4	25.5	28.3	31.6	38.7	2.2	—
186		○			10.7	15.2	16.9	18.6	20.0	21.4	22.7	24.0	27.3	30.3	33.9	41.5	2.3	—
198		○			11.4	16.2	18.1	19.8	21.4	22.8	24.2	25.5	29.1	32.3	36.1	44.2	2.4	—
210		○			12.1	17.2	19.2	21.0	22.7	24.3	25.7	27.1	30.9	34.3	38.4	47.0	2.4	—
223	○		○		12.9	18.2	20.3	22.3	24.0	25.7	27.3	28.7	32.8	36.3	40.6	49.8	2.5	—
247			○		14.3	20.2	22.6	24.7	26.7	28.6	30.3	31.9	36.4	40.4	45.2	55.3	2.6	—
272			○		15.7	22.2	24.8	27.2	29.4	31.4	33.3	35.1	40.0	44.4	49.7	60.8	2.7	—
297			○		17.1	24.2	27.1	29.7	32.1	34.3	36.3	38.3	43.7	48.5	54.2	66.4	2.9	—
322	○		○		18.6	26.3	29.4	32.2	34.7	37.1	39.4	41.5	47.3	52.5	58.7	71.9	3.0	—
346			○		20.0	28.3	31.6	34.6	37.4	40.0	42.4	44.7	51.0	56.5	63.2	77.4	3.1	—
371			○		21.4	30.3	33.9	37.1	40.1	42.8	45.4	47.9	54.6	60.6	67.7	82.9	3.2	—
396			○		22.8	32.3	36.1	39.6	42.7	45.7	48.5	51.1	58.2	64.6	72.2	88.5	3.3	—
420			○		24.3	34.3	38.4	42.0	45.4	48.5	51.5	54.3	61.9	68.7	76.8	94.0	3.4	—
445	○		○		25.7	36.3	40.6	44.5	48.1	51.4	54.5	57.5	65.5	72.7	81.3	99.5	3.5	—
470			○		27.1	38.4	42.9	47.0	50.7	54.3	57.5	60.7	69.2	76.7	85.8	105	3.6	—
495			○		28.6	40.4	45.1	49.5	53.4	57.1	60.6	63.8	72.8	80.8	90.3	111	3.7	—
519			○		30.0	42.4	47.4	51.9	56.1	60.0	63.6	67.0	76.4	84.8	94.8	116	3.8	—
544			○		31.4	44.4	49.7	54.4	58.8	62.8	66.6	70.2	80.1	88.8	99.3	122	3.9	—
569	○		○		32.8	46.4	51.9	56.9	61.4	65.7	69.7	73.4	83.7	92.9	104	127	4.0	—
594			○		34.3	48.5	54.2	59.4	64.1	68.5	72.7	76.6	87.4	96.9	108	133	4.1	—
717	○		○		41.4	58.6	65.5	71.7	77.5	82.8	87.8	92.6	106	117	131	160	4.5	—
767			○		44.3	62.6	70.0	76.7	82.8	88.5	93.9	99.0	113	125	140	171	4.6	—
890	○		○		51.4	72.7	81.3	89.0	96.2	103	109	115	131	145	163	199	5.0	—
1040	○		○		60.0	84.8	94.8	104	112	120	127	134	153	170	190	232	5.4	—

●.....With strainer ○.....Without strainer

Related Products

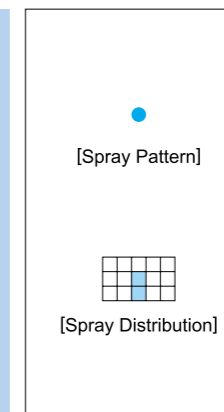
CP with small orifice diameter

Orifice Diameter Code	Pipe Conn. Size	Spray Capacity (ℓ/min)												Orifice Diameter (mm)	Strainer Mesh Size
		1/8M	1 MPa	2 MPa	2.5 MPa	3 MPa	3.5 MPa	4 MPa	4.5 MPa	5 MPa	6.5 MPa	8 MPa	10 MPa		
φ 0.1	●	0.020	0.028	0.031	0.034	0.037	0.039	0.042	0.044	0.05	0.056	0.062	0.076	0.1	200
φ 0.15	●	0.044	0.063	0.070	0.077	0.083	0.089	0.094	0.099	0.113	0.126	0.141	0.172	0.15	200
φ 0.2	●	0.08	0.11	0.13	0.14	0.15	0.16	0.17	0.18	0.20	0.22	0.25	0.31	0.2	200
φ 0.25	●	0.12	0.18	0.20	0.22	0.23	0.25	0.26	0.28	0.32	0.35	0.39	0.48	0.25	200
φ 0.3	●	0.18	0.25	0.28	0.31	0.33	0.36	0.38	0.40	0.46	0.51	0.56	0.69	0.3	150
φ 0.4	●	0.32	0.45	0.50	0.55	0.59	0.63	0.67	0.71	0.81	0.90	1.00	1.23	0.4	150
φ 0.5	●	0.50	0.70	0.79	0.86	0.93	0.99	1.05	1.11	1.27	1.40	1.57	1.92	0.5	100
φ 0.6	●	0.72	1.01	1.13	1.24	1.34	1.43	1.52	1.60	1.83	2.02	2.26	2.77	0.6	100
φ 0.7	●	0.97	1.37	1.53	1.68	1.81	1.94	2.06	2.17	2.47	2.74	3.07	3.76	0.7	50
φ 0.8	●	1.27	1.80	2.01	2.20	2.38	2.54	2.69	2.84	3.24	3.59	4.02	4.92	0.8	50

●.....With strainer

\* The above nozzles are manufactured for designated orifice diameters, therefore spray capacity is not guaranteed.

Convex Round Inlet Solid Stream Jet CCRP / CRP(AL99)



[Features]

- Convex round inlet protrudes inside the pipe to prevent particles from flowing into the nozzle, reducing clogging.
- CRP(AL99) series features high-purity alumina orifice providing stable performance with longer life.
- Short water path design enables easy and thorough brush-cleaning.

[Standard Pressure]

2MPa

[Applications]

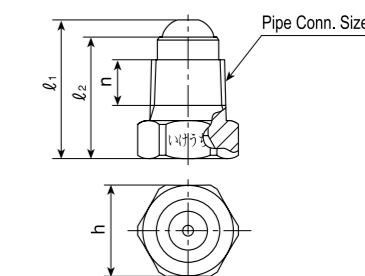
Cleaning : Wire and felt parts of paper making machines, machinery, parts, vehicles, returnable containers, bottles, etc.

CCRP-series

CCRP-series (All metal)	
Structure	• Made of metal, one-piece structure.
Material	• S303 (stainless steel 303)

Series	Pipe Conn. Size	Dimensions(mm)				Mass (g)
		ℓ <sub>1</sub>	ℓ <sub>2</sub>	h	n	
CCRP	1/8M	18.5	16	12	6	8.5
	1/4M	22.5	17.2	14	7.5	17

[Note] Appearance and dimensions may differ slightly depending on materials and nozzle codes.

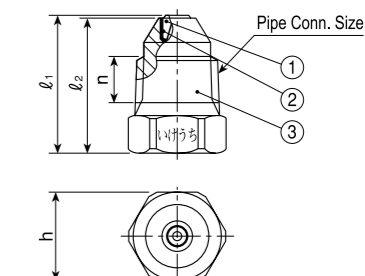


CRP(AL99)-series

CRP(AL99)-series (with high-purity alumina orifice inserted)	
Structure	• One-piece structure with high-purity alumina orifice inserted. • Convex round inlet protrudes into the pipe.
Material	• Spray orifice : 99.5% alumina • Metal parts : S303 (stainless steel 303)

Series	Pipe Conn. Size	Dimensions(mm)				Mass (g)
		ℓ <sub>1</sub>	ℓ <sub>2</sub>	h	n	
CRP-(AL99)	1/8M	18	17.5	12	6	7.0
	1/4M	22	21.5	14	7.5	15.0

[Note] Appearance and dimensions may differ slightly depending on materials and nozzle codes.



①99.5% Alumina orifice ②Adhesive : Araldite® ③Body

How to order

Please inquire or order for a specific nozzle using this coding system.

① Standard CP and CCP

<Example>...1/8MCP25S303W

1/8M	CP	25	S303	W
Pipe Conn. Size	Series	Spray Capacity Code	Material	Strainer
1/8M	CCP	25	B*(CP only)	W (with Strainer)
1/4M	CP	∅	S303	— (without Strainer)
3/8M		1040		

② CP with small orifice diameter

<Example>...1/8MCP∅0.1S303W

1/8MCP	∅0.1	S303	W
Pipe Conn. Size	Orifice Diameter Code	Material	Strainer
1/8M	∅ 0.1	B	W (with Strainer)
1/4M	∅	S303	— (without Strainer)
3/8M	∅ 0.8		

How to order

Please inquire or order for a specific nozzle using this coding system.

<Example>...1/8MCRP∅0.6S303 (AL99)

1/8M	CRP	∅0.6	S303(AL99)
Pipe Conn. Size	Series	Orifice Diameter Code	Material
1/8M	CRP	∅ 0.5	S303 (AL99) ...CRP
1/4M	CCRP	∅	S303 ...CCRP
		∅ 2.0	

\* The above nozzles are manufactured for designated orifice diameters, therefore spray capacity is not guaranteed.

Orifice Diameter Code	CCRP (Metal)		CRP(AL99) (Ceramic orifice inserted)		Spray Capacity (ℓ/min)					
	1/8M	1/4M	1/8M	1/4M	0.3 MPa	0.5 MPa	0.7 MPa	1 MPa	2 MPa	3 MPa
φ 0.5	○	○	○	○	0.20	0.26	0.31	0.37	0.52	0.63
φ 0.6	○	○	○	○	0.29	0.37	0.44	0.53	0.74	0.91
φ 0.7	○	○	○	○	0.39	0.51	0.60	0.72	1.01	1.24
φ 0.8	○	○	○	○	0.51	0.66	0.78	0.94	1.32	1.62
φ 0.9	○	○	○	○	0.65	0.84	0.99	1.18	1.67	2.05
φ 1.0	○	○	○	○	0.80	1.03	1.22	1.46	2.07	2.53
φ 1.1	○	○	○	○	0.97	1.25	1.48	1.77	2.50	3.06
φ 1.2	○	○	○	○	1.15	1.49	1.76	2.10	2.98	3.64
φ 1.3	○	○	○	○	1.35	1.75	2.07	2.47	3.49	4.28
φ 1.4	○	○	○	○	1.57	2.02	2.40	2.86	4.05	4.96
φ 1.5	○	○	○	○	1.80	2.32	2.75	3.29	4.65	5.69
φ 1.7	○	○	○	○	2.31	2.99	3.53	4.22	5.97	7.31
φ 2.0	○	○	○	○	3.20	4.13	4.89	5.84	8.26	10.1