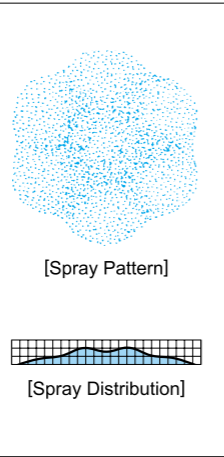


# 7-head Full Cone Spray Nozzles

## Extremely fine atomization

7KB



- [Features]**
- Full cone spray nozzle generating a large volume of fine atomization.
  - 7pcs. of KB hollow cone spray nozzles are screwed into a very compact header.
  - KB nozzles have ceramic whirl chambers and orifices, which provide excellent wear-resistance.

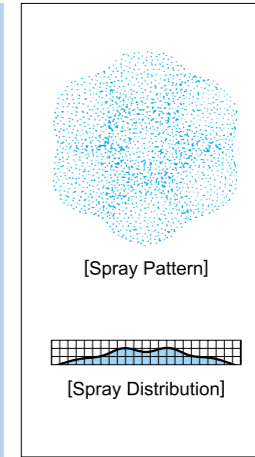
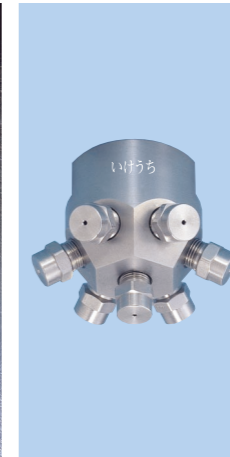
**[Standard Pressure]**  
0.7MPa

**[Applications]**  
Gas cooling, cleaning, moisture control, humidification, dust suppression, etc.

# 7-head Full Cone Spray Nozzles

## Standard type

7JJXP



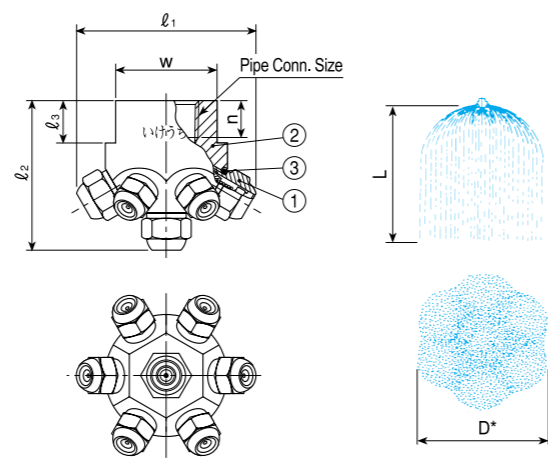
- [Features]**
- Full cone spray pattern with a round superimposed impact area.
  - 7pcs. of JJXP full cone spray nozzles are screwed into a very compact header.
  - Spray droplet diameter is about half that of other single-head full cone spray nozzles having the same spray capacity.
  - X-shaped whirler provides large free passage diameter for minimal clogging.

**[Standard Pressure]**  
0.2MPa

**[Applications]**  
Gas cooling, cleaning and moisture control, dust suppression etc.

### 7KB-series

7KB-series	
<b>Structure</b>	<ul style="list-style-type: none"> <li>• Comprises 7pcs. of KB hollow cone spray nozzles (spray angle 60°) and a header.</li> <li>• 7pcs. of KB nozzles are screwed into the header.</li> <li>• Spray orifice and closer are made of ceramics.</li> <li>• All models are equipped with built-in strainers and each part can be disassembled.</li> </ul>
<b>Material</b>	<ul style="list-style-type: none"> <li>• Spray orifice &amp; closer : ceramic</li> <li>• Metal parts : B (brass) or S303 (stainless steel 303)</li> <li>• Optional material : S316</li> </ul>



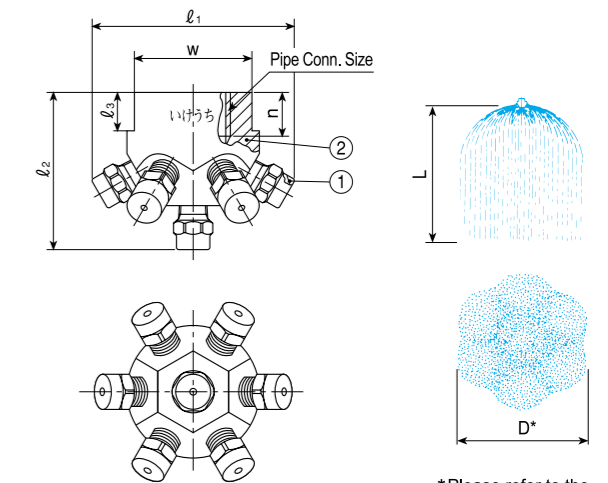
Series	Pipe Conn. Size	Dimensions(mm)					Mass(g)	
		l <sub>1</sub>	l <sub>2</sub>	l <sub>3</sub>	w	n	B	S303
7KB	3/4F	72	60	17	41	15	390	370

[Note] Appearance and dimensions may differ slightly depending on materials and nozzle codes.

\*Please refer to the chart below for spray dimension D.

### 7JJXP-series

7JJXP-series	
<b>Structure</b>	<ul style="list-style-type: none"> <li>• 7pcs. of JJXP full cone spray nozzles are screwed into a header.</li> <li>• JJXP full cone spray nozzle has one-piece structure with press-fit X-shaped whirler.</li> </ul>
<b>Material</b>	<ul style="list-style-type: none"> <li>• B (brass) or S303 (stainless steel 303)</li> <li>• Optional material : S316</li> </ul>



Series	Pipe Conn. Size *	Dimensions(mm)					Mass(g)	
		l <sub>1</sub>	l <sub>2</sub>	l <sub>3</sub>	w	n	B	S303
7JJXP	3/4F	71	55	13	40	15	400	380
	1 F (280)	89	67.5	17	46	17	660	620
	1 F (490, 840)	103	75	20	55	17	1140	1080
	1 1/2 F	128	92.5	20	70	19	1970	1860
	2 F	171	121.5	27	85	23	3870	3650

\* Figures in ( ) after Pipe Conn. Size indicate the spray capacity codes.

[Note] Appearance and dimensions may differ slightly depending on materials and nozzle codes.

\*Please refer to the chart below for spray dimension D.

Spray Capacity Code	Pipe Conn. Size	Spray Angle			Spray Dimension D (m)* at spray height L (at 0.7MPa)				Spray Capacity (ℓ/min)							Mean Drop. Dia. (μm)	Free Pass. Dia. (mm)	Strainer Mesh Size		
		0.3 MPa	0.7 MPa	1 MPa	L=0.5m	L=1.0m	L=1.5m	L=2.0m	0.3 MPa	0.4 MPa	0.5 MPa	0.6 MPa	0.7 MPa	1 MPa	1.2 MPa				1.5 MPa	2 MPa
023	3/4F	—	180°	180°	0.51	0.65	0.66	—	—	0.18	0.20	0.22	0.23	0.28	0.31	0.34	0.39	45	0.15	200
054		—	180°	180°	0.56	0.75	0.80	0.80	—	0.41	0.45	0.50	0.54	0.64	0.70	0.79	0.91	50	0.15	200
124		—	180°	180°	0.61	0.82	0.88	0.88	—	0.93	1.05	1.15	1.24	1.48	1.62	1.81	2.09	75	0.30	150
544		173°	180°	180°	0.80	1.14	1.32	1.40	3.56	4.11	4.60	5.04	5.44	6.50	7.12	7.96	9.19	∅	0.50	100
1087		174°	180°	180°	0.99	1.37	1.60	1.70	7.12	8.22	9.19	10.1	10.9	13.0	14.2	15.9	18.4	210	0.60	100

### How to order

Please inquire or order for a specific nozzle using this coding system.

⟨Example⟩... 3/4F7KB023B

3/4F	7KB	023	B
Pipe Conn. Size	Series	Spray Capacity Code	Material
3/4F	7KB	023	B
∅	∅	∅	S303
2F	∅	1087	∅

Spray Capacity Code	Pipe Conn. Size	Spray Angle			Spray Dimension D (m)* at spray height L (at 0.2MPa)							Spray Capacity (ℓ/min)							Mean Drop. Dia. (μm)	Free Pass. Dia. (mm)		
		0.05 MPa	0.2 MPa	0.5 MPa	L=1m	L=1.5m	L=2m	L=2.5m	L=3m	L=3.5m	0.05 MPa	0.1 MPa	0.15 MPa	0.2 MPa	0.3 MPa	0.5 MPa	0.7 MPa	1 MPa			1.5 MPa	2 MPa
70	3/4F	170°	175°	165°	1.9	2.4	2.8	3.0	3.1	3.1	—	5.11	6.16	7.00	8.26	10.2	11.7	13.5	15.9	17.9	290	0.8
140		180°	185°	175°	2.7	3.3	3.8	4.2	4.5	4.7	—	10.2	12.3	14.0	16.5	20.4	23.4	27.0	31.9	35.8	∅	1.5
280		180°	185°	175°	3.4	3.9	4.4	4.8	5.2	5.4	14.8	20.4	24.6	28.0	33.0	40.7	46.7	54.0	63.7	71.7	380	1.8
490		180°	185°	180°	4.3	4.8	5.4	5.8	6.2	6.4	26.0	35.6	43.0	49.0	57.8	71.4	81.9	94.5	112	125	480	2.6
840		200°	205°	200°	5.2	5.8	6.3	6.8	7.2	7.5	44.5	61.1	73.5	84.0	99.4	122	140	162	191	215	660	2.6
1120	1 1/2 F	190°	195°	180°	5.6	6.3	6.9	7.4	7.8	8.1	59.3	81.2	98.0	112	132	163	187	216	255	287	∅	3.5
1400		200°	205°	190°	6.0	6.7	7.3	7.8	8.3	8.6	74.2	102	123	140	165	204	234	270	319	358	740	3.5
1820	2 F	195°	200°	185°	6.2	6.9	7.5	8.0	8.5	8.8	96.6	132	160	182	215	265	304	351	414	466	∅	4.7
2450		205°	210°	195°	6.4	7.1	7.7	8.2	8.7	9.0	130	179	215	245	289	356	409	473	558	627	∅	4.7
3150		210°	215°	200°	6.6	7.3	7.9	8.4	8.9	9.2	167	229	277	315	372	458	525	608	717	806	950	4.7

### How to order


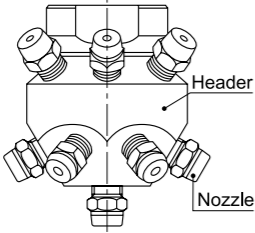
Please inquire or order for a specific nozzle using this coding system.

⟨Example⟩... 3/4F7JJXP70S303

3/4F	7JJXP	70	S303
Pipe Conn. Size	Series	Spray Capacity Code	Material
3/4F	7JJXP	70	B
∅	∅	∅	S303
2F	∅	3150	∅

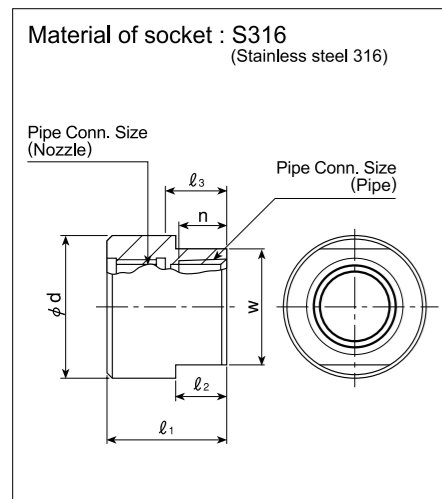
Related Products

13JJXP-series (13-head Full Cone Spray Nozzles)

Series	Appearance	Structure	Features	Applications
13JJXP			<ul style="list-style-type: none"> <li>• Full cone spray pattern with uniform spray distribution.</li> <li>• 13pcs. of JJXP full cone spray nozzles are screwed into very compact header.</li> <li>• Spray smaller spray droplet size than other single-head full cone spray nozzles with the same spray capacity.</li> </ul>	<ul style="list-style-type: none"> <li>• Gas cooling</li> <li>• Moisture control, etc.</li> </ul>

Socket for Alumina Nozzles

Optional socket available for alumina nozzles (AP-AL92, JUXP-AL92, AJP-AL92).



Nominal Dia.	Pipe Conn. Size		Dimensions(mm)						Mass(g)
	Nozzle	Pipe	$\phi d$	$l_1$	$l_2$	w	n	$l_3$	
1/2	1/2	1/2	30	33	13	27	14	17	120
3/4	3/4	3/4	40	37	15	34	15	19	230
3/4x1	1	3/4	40	39	15	34	15	18	200
1	1	1	50	43	18	41	17	22	400
1x1 1/2	1 1/2	1	60	44	17	54	17	20	560
1 1/2	1 1/2	1 1/2	70	49	24	60	19	25	840
1 1/2x2	2	1 1/2	70	51	19	60	19	23	680
2	2	2	80	58	23	70	23	30	1100
2x2 1/2	2 1/2	2	90	60	23	80	23	27	1400
2 1/2	2 1/2	2 1/2	100	67	25	90	27	34	2000
2 1/2x3	3	2 1/2	100	67	25	90	27	31	1500
3	3	3	110	74	25	100	30	38	2200

\* Thread for connecting pipe is PT female.

Products Lineup

Solid Stream Jet Nozzles and others

Solid Stream Jet Nozzles	p.87~
<ul style="list-style-type: none"> <li>• Standard solid stream : CCP / CP</li> <li>• Convex round inlet solid stream : CCRP / CRP(AL99)</li> <li>• Paper trimming nozzles : CMP-T / CTM / CM</li> </ul>	
Multiple-orifice Solid Stream Jet Nozzles	p.93~
<ul style="list-style-type: none"> <li>• Multiple-orifice solid stream : 2CCP • 7CCP / 2CP • 7CP</li> </ul>	
Special Spray Nozzles	p.95~
<ul style="list-style-type: none"> <li>• Self-cleaning solid stream : MOMOJet® "C"</li> <li>• Pipe cleaning nozzles : RSP</li> <li>• Solid stream with ON/OFF control : SO-CM</li> <li>• Universal-joint type solid stream : UT+CP</li> <li>• Ejector nozzles : EJX</li> <li>• For effective use of solid stream jet nozzles</li> </ul>	
Others	p.102~
<ul style="list-style-type: none"> <li>• Air nozzles : TAIFUJet®</li> <li>• Slit laminar (water/air curtain) nozzles : SLNH-H / SLNHA-H</li> <li>• Slit laminar nozzles for blower air : SLNB</li> <li>• Universal ball joints : UT</li> </ul>	