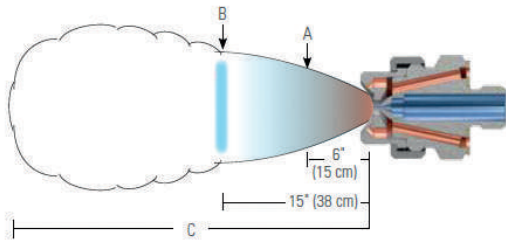
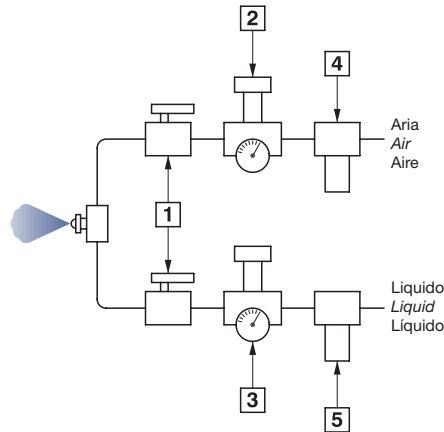


GETTO PIATTO IN PRESSIONE
FLAT SPRAY PRESSURE
SALIDA PLANA BAJO PRESIÓN



Ugello
Nozzle
Boquilla



I set-up di miscelazione esterna sono ideali per liquidi viscosi o che tengono solidi sospesi. Le dimensioni A e B mostrano le coperture alle diverse distanze, oltre la distanza C il getto diventa frastagliato.

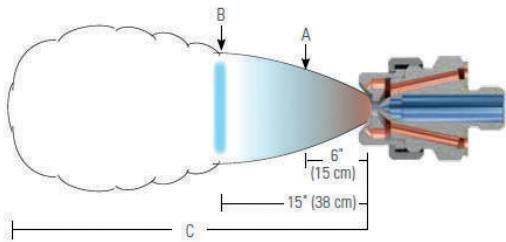
The external mixing set-ups are ideal for viscous liquids or those that hold suspended solids. The dimensions A and B show the coverages at different distances, beyond the distance C the jet becomes jagged.

Las configuraciones externas de mezcla son ideales para líquidos viscosos o para aquellos que contienen sólidos suspendidos. Las dimensiones A y B muestran las coberturas a diferentes distancias, más allá de la distancia C, el chorro se vuelve irregular.

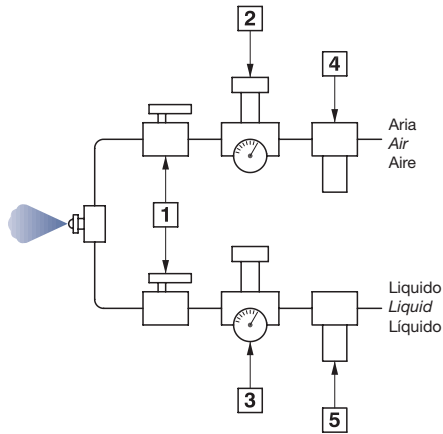


Spray set-up	Liquid Capacity (liters per hour) and Air Capacity (liters per minute)															Spray dimensions (h)				
	Liquid Pressure															Air bar	Liquid Press. (bar)	A cm	B cm	C m
	0,2 Bar			0,3 Bar			0,7 Bar			1,5 Bar			3 Bar							
Air Press. (bar)	AIR l/min	Liquid l/h	Air Press. (bar)	AIR l/min	Liquid l/h	Air Press. (bar)	AIR l/min	Liquid l/h	Air Press. (bar)	AIR l/min	Liquid l/h	Air Press. (bar)	AIR l/min	Liquid l/h	Air bar	Liquid Press. (bar)	A cm	B cm	C m	
B1 - P41	0,35	22,0	2,8	0,35	22	3,5	0,40	25	5,3	0,60	28	7,8	0,70	34	11,0	0,6	0,7	23	30	1,8
	0,40	25,0		0,40	25		0,60	28		0,70	34		0,6	2,6		28	35	1,8		
	0,50	27,5		0,60	28		0,70	34		1,10	45		1,4	1,5		25	30	2,7		
	0,60	28,0		0,70	34		0,85	40		1,40	54		2,50	79		1,1	2,0	28	35	2,6
B2 - P41	0,35	22,0	4,5	0,35	22	5,5	0,60	28	8,3	0,70	34	12,2	1,10	45	17,2	1,1	0,7	30	38	2,1
	0,60	28,0		0,70	34		1,40	54		1,40	54		0,7	1,5		38	46	1,8		
	0,70	34,0		1,10	45		1,40	54		2,10	71		2,50	79		2,5	1,5	33	40	3,0
	1,10	45,0		1,40	54		2,10	71		2,50	79		2,50	79		1,8	2,0	38	46	2,7
B3-P41	0,40	25,0	8,5	0,40	25	10,4	0,40	25	15,9	0,70	34	23,0	1,40	54	33,0	0,6	0,7	35	48	1,5
	0,50	27,5		0,60	28		0,60	28		0,85	40		1,80	62		0,7	1,5	38	48	1,8
	0,60	28,0		0,65	31		0,70	34		1,10	45		2,10	71		1,4	1,5	43	53	2,4
	0,70	34,0		0,70	34		0,85	40		1,40	54		2,50	79		1,8	2,0	41	51	2,7
B4-P42	0,60	91,0	13,4	0,70	102	16,4	1,40	156	25,0	2,10	210	37,0	3,20	285	52,0	2,1	0,7	33	40	4,3
	0,70	102,0		1,10	130		2,10	210		2,80	260		4,20	360		2,1	1,5	35	46	4,0
	1,10	130,0		1,80	184		2,50	235		3,50	310		5,30	430		4,2	1,5	38	48	5,2
	1,40	156,0		2,10	210		2,80	260		4,20	360		5,60	455		3,9	2,0	41	51	4,6
B5 - P42	0,60	91,0	17,6	0,70	102	22,0	1,10	130	33,0	2,50	235	48,0	3,50	310	68,0	1,8	0,7	35	48	3,0
	1,10	130,0		1,40	156		1,80	184		3,20	285		4,60	380		2,5	1,5	38	46	3,8
	1,40	156,0		1,80	184		2,50	235		3,90	330		6,00	475		4,2	1,5	30	43	4,9
	1,80	184,0		2,10	210		2,80	260		4,20	360		6,70	525		4,2	2,0	33	43	5,2
B6-P42	0,70	102,0	36,0	1,10	130	45,0	1,80	184	68,0	3,20	285	100,0	5,30	430	141,0	2,8	0,7	46	58	4,0
	1,10	130,0		1,40	156		2,10	210		3,50	310		6,00	475		3,2	1,5	48	58	4,3
	1,40	156,0		2,10	210		2,80	260		4,90	405		6,70	525		5,6	1,5	38	51	5,8
	1,80	184,0		2,50	235		3,20	285		5,60	455		7,00	550		3,9	2,0	48	64	4,3
B7-P43	1,80	235,0	36,0	1,80	235	45,0	2,50	300	68,0	3,90	410	100,0				1,8	0,2	15	20	3,4
	2,10	260,0		2,10	260		2,80	330		4,20	445					2,8	0,2	15	20	4,0
	2,50	300,0		2,50	300		3,20	335		4,60	480					2,8	0,3	15	20	4,3
	2,80	330,0		2,80	330		3,50	380		4,90	520					3,5	0,7	17	22	4,6
	3,20	355,0		3,20	355		3,90	410		5,30	565					3,9	1,5	17	22	4,7
	3,50	380,0		3,50	380		4,20	445		5,60	600					4,2	1,0	17	23	5,5
B8 - P43	4,20	445,0	102,0	4,20	445	125,0	4,90	520	192,0	6,30	685	280,0				4,9	1,5	17	23	4,6
	2,80	330,0		3,50	380		4,60	480		5,60	600					2,8	0,2	19	25	4,9
	3,20	355,0		3,90	410		4,90	520		6,00	640					3,9	0,2	20	25	5,2
	3,50	380,0		4,20	445		5,30	565		6,30	685					4,6	0,3	20	25	5,5
	3,90	410,0		4,60	480		5,60	600								5,3	0,7	22	27	5,5
	4,20	445,0		4,90	520		6,00	640								5,6	1,0	22	27	5,5
4,60	480,0	5,30	565	6,30	685					5,6	1,5	22	27	5,8						
4,90	520,0	5,60	600							6,0	1,5	22	27	6,1						

GETTO PIATTO IN PRESSIONE
FLAT SPRAY PRESSURE
SALIDA PLANA BAJO PRESIÓN



Ugello
Nozzle
Boquilla



I set-up di miscelazione esterna sono ideali per liquidi viscosi o che tengono solidi sospesi. Le dimensioni A e B mostrano le coperture alle diverse distanze, oltre la distanza C il getto diventa frastagliato.

The external mixing set-ups are ideal for viscous liquids or those that hold suspended solids. The dimensions A and B show the coverages at different distances, beyond the distance C the jet becomes jagged.

Las configuraciones externas de mezcla son ideales para líquidos viscosos o para aquellos que contienen sólidos suspendidos. Las dimensiones A y B muestran las coberturas a diferentes distancias, más allá de la distancia C, el chorro se vuelve irregular.

Spray set-up	Liquid Capacity (liters per hour) and Air Capacity (liters per minute)															Spray dimensions (h)				
	Liquid Pressure																			
	0,2 Bar			0,3 Bar			0,7 Bar			1,5 Bar			3 Bar			Air bar	H ₂ O bar	A cm	B cm	C m
Air Press. (bar)	AIR l/min	Liquid l/h	Air Press. (bar)	AIR l/min	Liquid l/h	Air Press. (bar)	AIR l/min	Liquid l/h	Air Press. (bar)	AIR l/min	Liquid l/h	Air Press. (bar)	AIR l/min	Liquid l/h	Air bar	H ₂ O bar	A cm	B cm	C m	
B1 - P44	0.20	25.2		3.5	26.3		0.70	31.2		1.4	45.3		2.8	73.6		0.20	0.20	9.0	15.0	0.90
	0.35	26.3		0.70	31.2		1.05	39.6		1.75	53.8		3.5	85		1.05	0.20	9.0	15.0	1.2
	0.70	31.2		1.05	39.6		1.4	45.3		2.1	59.5		4.2	102		1.4	0.35	10.0	15.0	1.2
	1.05	39.6	2.8	1.4	45.3	3.5	1.75	53.8	5.3	2.8	73.6	7.8	4.9	119	11.0	1.4	1.4	11.5	18.0	1.5
	1.4	45.3		1.75	53.8		2.1	59.4		3.5	85		5.3	127.5		1.75	0.70	11.5	15.0	1.5
	1.75	53.8		2.1	59.4		2.8	73.6		4.2	102		5.6	139		2.8	1.4	13.0	18.0	1.8
2.1	59.4		2.8	73.6		3.5	85		5.6	139		6.3	159		4.9	2.8	15.0	18.0	2.4	
B2 - P44	0.35	26.3		0.70	31.2		1.05	39.6		1.75	53.8		3.15	82		0.35	0.20	7.5	14.0	1.0
	0.70	31.2		1.05	39.6		1.4	45.3		2.1	59.4		3.5	85		1.4	0.20	9.0	15.0	1.7
	1.05	39.6		1.4	45.3		1.75	53.8		2.8	73.6		4.2	102		1.75	0.35	10.0	16.5	1.8
	1.4	45.3	4.5	1.75	53.8	5.5	2.1	59.4	8.3	3.5	85	12.2	4.9	119	16.6	1.75	1.4	13.0	19.0	2.1
	1.75	53.8		2.1	59.4		2.8	73.6		4.2	102		5.25	127		2.1	0.70	13.0	18.0	1.8
	2.1	59.4		2.8	73.6		3.5	85		4.9	119		6.3	159		3.5	1.4	13.0	22	2.4
2.8	73.6		3.5	85		4.2	102		6.3	159		6.7	164		5.3	2.8	15.0	19.0	3.0	
B3 - P44	0.70	31.2		1.05	39.6		1.4	45.3		2.5	68		3.5	85		0.70	0.20	13.0	16.5	1.2
	1.05	39.6		1.4	45.3		1.75	53.8		2.8	73.6		4.2	102		1.75	0.20	13.0	16.5	1.8
	1.4	45.3	8.5	1.75	53.8	10.4	2.1	59.4	15.9	4.2	102	23	5.3	127	33	2.1	0.35	13.0	18.0	1.8
	1.75	53.8		2.1	59.4		2.8	73.6		4.9	119		5.6	139		2.5	1.4	14.0	20	1.8
	2.1	59.4		2.8	73.6		3.5	85.0		4.9	119		5.6	139		2.8	0.70	14.0	19.0	2.3
	2.8	73.6		3.5	85		4.2	102		5.6	139		6.3	159		4.2	1.4	14.0	20	3.0
3.5	85		4.2	102		4.9	119		6.3	159		7.0	176		5.3	2.8	16.5	20	4.0	
B4 - P45	0.70	85		1.0	102		1.4	116		2.5	178		3.2	212		0.70	0.20	13.0	19.0	1.7
	1.0	102		1.4	116		1.8	139		2.8	195		3.5	232		1.8	0.20	13.0	19.0	2.7
	1.4	116		1.8	139		2.1	156		3.5	227		3.9	255		2.1	0.35	15.0	19.0	3.0
	1.8	139	13.4	2.1	156	16.4	2.5	178	25	4.2	266	37	4.2	275	52	2.5	0.70	15.0	22	3.5
	2.1	156		2.8	195		2.8	195		4.9	312		4.9	314		2.5	1.4	16.5	23	3.7
	2.8	195		3.5	227		3.5	227		5.6	360		5.6	360		4.2	1.4	16.5	23	4.3
3.5	227		4.2	266		4.2	266		6.3	411		6.3	411		4.9	2.8	16.5	22	4.9	
B5 - P45	0.70	85		1.4	116		1.8	139		2.8	195		3.5	232		0.70	0.35	15.0	19.0	2.1
	1.0	102		1.8	139		2.1	156		3.2	212		4.2	275		1.8	0.70	15.0	19.0	3.0
	1.4	116		2.1	156		2.5	178		3.5	227		4.9	314		2.5	1.4	15.0	22	3.4
	1.8	139	17.6	2.5	178	22	2.8	195	33	4.2	266	48	5.3	340	68	2.8	1.4	15.0	22	3.8
	2.1	156		2.8	195		3.5	227		4.9	312		5.6	360		2.8	1.4	16.5	25	4.0
	2.8	195		3.5	227		4.2	266		5.6	360		6.3	411		4.2	2.1	16.5	25	4.9
3.5	227		4.2	266		4.9	312		6.3	411		6.6	428		5.3	2.8	18.0	23	5.8	
B7 - P45	1.0	102		1.8	139		2.5	178		3.2	212		3.9	255		1.0	0.20	15.0	20	2.7
	1.4	116		2.1	156		2.8	195		3.5	227		4.2	275		2.1	0.20	15.0	22	3.0
	1.8	139		2.5	178		3.2	212		3.9	246		4.6	297		2.8	0.35	18.0	24	3.5
	2.1	156	36	2.8	195	45	3.5	227	68	4.2	266	100	4.9	314	141	3.2	1.4	20	28	3.7
	2.5	178		3.2	212		4.2	266		4.9	312		5.6	360		3.5	0.70	19.0	27	4.0
	2.8	195		3.5	227		4.9	312		5.6	360		6.3	411		4.2	1.4	20	28	4.3
3.5	227		4.2	266		5.6	360		6.3	411		7.0	453		5.6	2.8	18.0	24	5.9	