



# UGELLI ASSIALI A CONO PIENO - SERIE OC

## AXIAL FEED FULL-CONE NOZZLES – OC SERIES

# OC



Tipo / Type OC x



Tipo / Type OC y

### CARATTERISTICHE

- Ricavato da barra esagonale
- Diffusore con fresature inclinate inserito all'interno del corpo
- Ampia gamma di portate
- Getto estremamente uniforme e ben distribuito
- Gocce di grandi dimensioni

### APPLICAZIONI CONSIGLIATE

- Impianti di lavaggio materiali
- Raffreddamento materiali
- Abbattimento polveri
- Lavaggio e raffreddamento di gas e aria
- Abbattimento schiume
- Trattamenti chimici industriali
- Sistemi antincendio
- Cabine di verniciatura

### CHARACTERISTICS

- Made out of hexagonal bar
- Swirl-disc with raking millings, pressed inside the body
- Wide range of flows
- Particular uniform and well nebulized jet
- Big-sized droplets

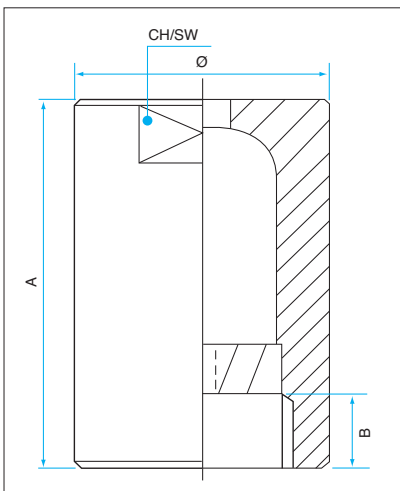
### TYPICAL APPLICATIONS

- Materials washing plants
- Materials cooling
- Dust suppression
- Air and gas washing and cooling
- Foam suppression
- Chemical-industrial treatments
- Fire-fighting systems
- Spray booth

CODE MAT.
02 AISI 316
04 AISI 303
06 Ottone/Brass
07 Ottone nichelato cromato /Chromium-plated brass
08 PVC
09 Delrin
10 Polipropilene / Polypropylene
17 Hastelloy C
18 Titanio/Titanium
21 PVDF
22 Polizene
36 Teflon

## DATI OPERATIVI - OPERATIVE DATA

TIPO OC - Dimensione raccordo OC TYPE - Thread dimension			CODICE PORTATA FLOW CODE	PORTATA / FLOW l/min											AMPIEZZA ANGOLO DI SPRUZZO SPRAY ANGLE WIDTH
2"	2"1/2	3"		Ø E mm.	Ø U mm.	0,5 bar	1 bar	1,5 bar	2 bar	3 bar	4 bar	5 bar	7 bar	10 bar	30°
▼			576	12,0	11,5	67	89	104	117	138	154	169	193	223	●
▼			622	13,0	12,5	82	108	127	142	167	187	205	234	270	●
▼			632	13,5	13,0	87	115	135	152	179	201	219	251	289	●
▼			650	14,5	13,5	98	129	152	170	200	224	245	281	324	●
	▼		681	16,0	14,5	115	152	179	201	236	265	290	332	383	●
	▼		692	16,5	15,0	122	161	189	212	249	280	306	350	404	●
	▼		700	16,5	15,5	126	167	196	220	259	290	317	363	419	●
	▼		733	17,5	16,0	145	192	225	253	298	334	365	418	482	●
		▼	775	18,5	17,0	169	224	263	295	347	389	426	487	562	●
		▼	820	20,0	18,5	207	273	321	360	423	475	519	594	685	●
		▼	842	22,0	20,0	247	326	383	430	506	567	620	710	819	●
		▼	862	23,0	21,0	296	390	459	515	606	680	743	850	980	●
		▼	878	25,0	23,0	342	451	530	595	700	785	858	982	1133	●



Tipo / Type OC x

DIMENSIONI DIMENSIONS	RACCORDO GAS CILINDRICO BSP BSP THREAD					
	2"		2" 1/2		3"	
	x	y	x	y	x	y
A	120	100	140	120	150	130
B	20	20	25	25	30	30
Ø	70	60	90	80	100	90
CH/SW	60	50	80	70	90	80



# UGELLI ASSIALI A CONO PIENO - SERIE OC

## AXIAL FEED FULL-CONE NOZZLES – OC SERIES

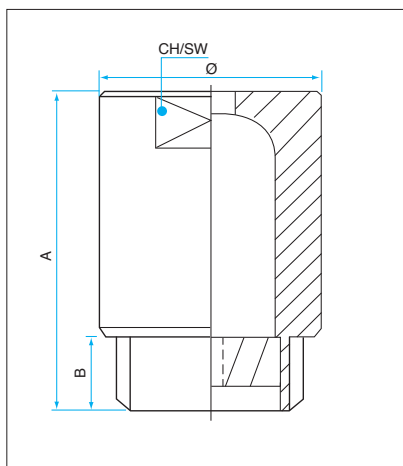
**OC**

### DATI OPERATIVI - OPERATIVE DATA

TIPO OC - Dimensione raccordo OC TYPE - Thread dimension			CODICE PORTATA FLOW CODE	PORTATA / FLOW l/min											AMPIEZZA ANGOLO DI SPRUZZO SPRAY ANGLE WIDTH	
2"	2"1/2	3"		Ø E mm.	Ø U mm.	0,5 bar	1 bar	1,5 bar	2 bar	3 bar	4 bar	5 bar	7 bar	10 bar	45°	60°
▼			576	11,0	13,0	67	89	104	117	138	154	169	193	223	●	●
▼			622	12,0	13,5	82	108	127	142	167	187	205	234	270	●	●
▼	▼		632	13,5	14,0	87	115	135	152	179	201	219	251	289	●	●
▼	▼		650	13,5	14,5	98	129	152	170	200	224	245	281	324	●	●
▼	▼		681	14,0	16,5	115	152	179	201	236	265	290	332	383	●	●
▼	▼		692	14,5	17,0	122	161	189	212	249	280	306	350	404	●	●
▼	▼		700	15,0	17,0	126	167	196	220	259	290	317	363	419	●	●
▼	▼		733	15,5	18,0	145	192	225	253	298	334	365	418	482	●	●
▼	▼	▼	775	16,5	19,0	169	224	263	295	347	389	426	487	562	●	●
	▼	▼	820	19,0	21,0	207	273	321	360	423	475	519	594	685	●	●
	▼	▼	842	20,0	22,0	247	326	383	430	506	567	620	710	819	●	●
	▼	▼	862	21,0	23,0	296	390	459	515	606	680	743	850	980	●	●
		▼	878	23,0	25,0	342	451	530	595	700	785	858	982	1133	●	●
		▼	890	26,0	30,0	373	493	579	650	764	858	938	1073	1237	●	●
		▼	909	28,0	31,0	425	561	660	740	870	976	1068	1221	1409	●	●

### DATI OPERATIVI - OPERATIVE DATA

TIPO OC - Dimensione raccordo OC TYPE - Thread dimension			CODICE PORTATA FLOW CODE	PORTATA / FLOW l/min											AMPIEZZA ANGOLO DI SPRUZZO SPRAY ANGLE WIDTH	
2"	2"1/2	3"		Ø E mm.	Ø U mm.	0,5 bar	1 bar	1,5 bar	2 bar	3 bar	4 bar	5 bar	7 bar	10 bar	90°	120°
▼			576	10,0	14,0	67	89	104	117	138	154	169	193	223	●	●
▼			622	11,0	14,5	82	108	127	142	167	187	205	234	270	●	●
▼	▼		632	12,5	15,0	87	115	135	152	179	201	219	251	289	●	●
▼	▼		650	12,5	15,5	98	129	152	170	200	224	245	281	324	●	●
▼	▼		681	13,0	17,5	115	152	179	201	236	265	290	332	383	●	●
▼	▼		692	13,5	18,0	122	161	189	212	249	280	306	350	404	●	●
▼	▼		700	14,0	18,0	126	167	196	220	259	290	317	363	419	●	●
▼	▼		733	14,5	19,0	145	192	225	253	298	334	365	418	482	●	●
▼	▼	▼	775	17,5	20,0	169	224	263	295	347	389	426	487	562	●	●
	▼	▼	820	20,0	22,0	207	273	321	360	423	475	519	594	685	●	●
	▼	▼	842	21,0	23,0	247	326	383	430	506	567	620	710	819	●	●
	▼	▼	862	22,0	24,0	296	390	459	515	606	680	743	850	980	●	●
		▼	878	24,0	26,0	342	451	530	595	700	785	858	982	1133	●	●
		▼	890	27,0	31,0	373	493	579	650	764	858	938	1073	1237	●	●
		▼	909	29,0	32,0	425	561	660	740	870	976	1068	1221	1409	●	●



Tipo / Type OC y

DIMENSIONI DIMENSIONS	RACCORDO GAS CILINDRICO BSP BSP THREAD					
	2"		2" 1/2		3"	
	x	y	x	y	x	y
A	100	80	110	90	130	110
B	20	20	25	25	30	30
Ø	70	60	90	80	100	90
CH/SW	60	50	80	70	90	80





# UGELLI ASSIALI A CONO PIENO - SERIE OC

## AXIAL FEED FULL-CONE NOZZLES – OC SERIES

# OC



Tipo / Type OC x



Tipo / Type OC y

### CARATTERISTICHE

- Ricavato da barra
- Diffusore con fresature inclinate inserito all'interno del corpo
- Ampia gamma di portate
- Getto estremamente uniforme e ben distribuito
- Gocce di grandi dimensioni

### APPLICAZIONI CONSIGLIATE

- Impianti di lavaggio materiali
- Raffreddamento materiali
- Abbattimento polveri
- Lavaggio e raffreddamento di gas e aria
- Abbattimento schiume
- Trattamenti chimici industriali
- Sistemi antincendio
- Cabine di verniciatura

### CHARACTERISTICS

- Made out of bar
- Swirl-disc with raking millings, pressed inside the body
- Wide range of flows
- Particular uniform and well nebulized jet
- Big-sized droplets

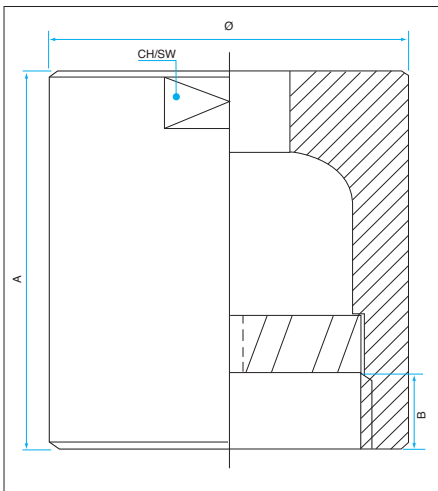
### TYPICAL APPLICATIONS

- Materials washing plants
- Materials cooling
- Dust suppression
- Air and gas washing and cooling
- Foam suppression
- Chemical-industrial treatments
- Fire-fighting systems
- Spray booth

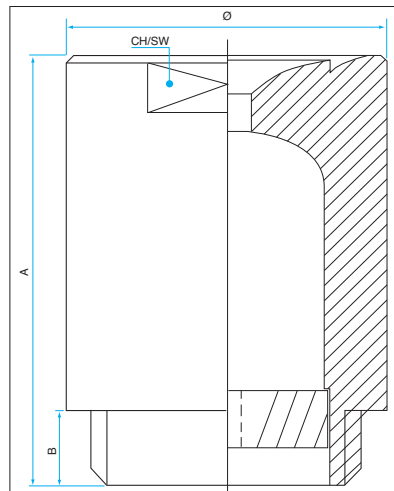
CODE MAT.
02 AISI 316
04 AISI 303
06 Ottone/Brass
07 Ottone nichelato cromato/Chromium-plated brass
08 PVC
09 Delrin
10 Polipropilene/Polypropylene
17 Hastelloy C
18 Titanio/Titanium
21 PVDF
22 Polizene
36 Teflon

## DATI OPERATIVI - OPERATIVE DATA

TIPO OC - Dimensione raccordo OC TYPE - Thread dimension			CODICE PORTATA FLOW CODE	PORTATA / FLOW l/min										AMPIEZZA ANGOLO DI SPRUZZO SPRAY ANGLE WIDTH		
4"	5"	6"		Ø E mm.	Ø U mm.	0,5 bar	1 bar	1,5 bar	2 bar	3 bar	4 bar	5 bar	7 bar	10 bar	90°	120°
▼			941	19,0	42,0	632	834	980	1100	1294	1451	1587	1816	2094	●	●
▼			944	21,0	45,0	689	909	1070	1200	1411	1583	1731	1981	2284	●	●
▼			946	23,0	48,0	747	985	1159	1300	1529	1715	1876	2146	2475	●	●
▼			948	25,0	51,0	804	1061	1248	1400	1647	1847	2020	2311	2665	●	●
▼			950	27,0	54,0	862	1137	1337	1500	1764	1979	2164	2476	2855	●	●
	▼		959	30,0	52,0	1034	1364	1604	1800	2117	2375	2597	2971	3427	●	●
	▼		960	33,0	55,0	1149	1516	1783	2000	2352	2639	2885	3301	3807	●	●
	▼		965	36,0	60,0	1264	1667	1961	2200	2587	2903	3174	3631	4188	●	●
	▼		968	39,0	65,0	1378	1819	2139	2400	2823	3167	3462	3961	4569	●	●
		▼	970	40,0	68,0	1436	1895	2228	2500	2940	3299	3607	4126	4759	●	●
		▼	976	42,0	70,0	1608	2122	2496	2800	3293	3695	4040	4622	5330	●	●
		▼	982	42,0	72,0	1780	2349	2763	3100	3646	4090	4472	5117	5901	●	●
		▼	987	44,0	74,0	1953	2577	3030	3400	3999	4486	4905	5612	6472	●	●
		▼	992	46,0	76,0	2125	2804	3298	3700	4351	4882	5338	6107	7044	●	●
		▼	995	46,0	78,0	2297	3031	3565	4000	4704	5278	5771	6602	7615	●	●



Tipo / Type OC x



Tipo / Type OC y

DIMENSIONI DIMENSIONS	RACCORDO GAS CILINDRICO BSP BSP THREAD					
	4"		5"		6"	
	x	y	x	y	x	y
A	150	130	180	160	200	180
B	35	35	40	40	40	40
Ø	130	120	150	140	190	170
CH/SW	100	100	120	120	120	150